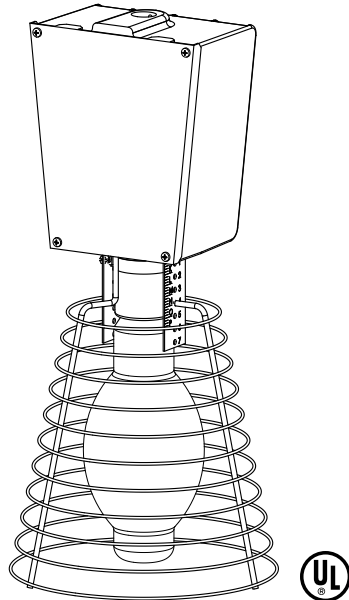


Temporary Jobsite YTC Series

CATALOG NUMBER	TYPE



Housing: Heavy duty die-cast aluminum housing and cover with clean lines and heat dissipating fins. Ballast pod supplied with white polyester powder coat finish. Cover attaches to housing with four screws for easy internal access. Segmented ballast compartment for heat sink. Components and options contained in a separate compartment. Internal grommet eliminates pinched wires. Center balanced ballast and components ensure unit hangs straight. Unique Y-Pod design has minimal horizontal surface, which reduces collection of airborne particles retaining new appearance.

Ballast: Fully wired, high power factor, CWA ballast, 120, 208, 240, 277, Multi-Tap or V-Tap, 60Hz. UL listed, employs Class 180(H) insulation, and a minimum starting temperature of -40°C (HPS and MH/PS) and -30°C (MH).

Lamp: Supplied with 4KV pulse rated porcelain mogul socket. Lamp supplied as specified for open and protected fixtures.

Optics: Chrome plated steel wire guard protects lamp while allowing full light distribution.

Mounting: Direct hard wire, hook, or Hook, Cord & Plug (specify in part number). 3/4" threaded conduit hub standard. Optional die-cast aluminum Safety Snap-Lok hook with 3/4 NPT threads, 6' 16-3 Cord, and L7-15 NEMA twist lock plug supplied as standard. Consult factory for straight blade plug. Simply slide bracket to socket and tighten. UL and C-UL listed. 40°C operation.

Options & Accessories: See back for contractor pack option.

Warranty: Guaranteed against manufacturing defect for a period of three (3) years. The guarantee is limited to replacement by the Company, and the guarantee does not cover labor charges, which shall be paid by the Customer.

FEATURES AND BENEFITS

- | | |
|--------------------------------|--|
| Y-Pod design | ➤ Aesthetically pleasing – no exposed components or vents to trap contaminants |
| | ➤ High style, economical value |
| | ➤ Compatible with standard Y-Pod optical configurations; maintain Pod for permanent installation |
| Die-cast aluminum pod | ➤ Heavy duty construction |
| Chrome plated steel wire guard | ➤ Protects lamps in jobsites or applications where temporary lighting is needed |
| | ➤ Heavy-duty construction withstands repeated use |
| 100% Quality tested | ➤ Optimal field performance |
| Energy efficient HID | ➤ Longer life and cost effective solution to incandescent string lights |
| Contractor Pak option | ➤ Optics, pod & lamp in one carton with ergonomic carrying handles |

DIMENSIONS AND MOUNTING HEIGHT

	Fixture Height	Fixture Width	Ceiling Height
YTC Series	25.2"	9.25"	Over 15'



YTC Series Temporary Jobsite

ORDERING INFORMATION

	Wattage Lamp	Conduit Mount	Hook	Hook, Cord & Plug
YTC Series 9" Wire Guard	400 MH	YTC0440 -(a)(b)	YTC1440 -(a)(b)	YTC2240 -(a)(b)+
	250 HPS	YTC0525 -(a)(b)	YTC1525 -(a)(b)	YTC2525 -(a)(b)+
	400 HPS	YTC0540 -(a)(b)	YTC1540 -(a)(b)	YTC2540 -(a)(b)+

+ Specify voltage (a) for plug.

(a) Voltage Suffix Key:

Indicate voltage in space (a)

120 Volt **(1)**

277 Volt **(2)**

208 Volt **(3)**

240 Volt **(4)**

480 Volt **(5)**

Multi-Tap **(M)**

(tapped 277V)

120/208/240/

277/480 V-Tap **(M5)**

(b) Options (Factory Installed) Suffix Key:

Indicate in space (b)

@ - Contractor Pak – Optics, Pod & Lamp in One Carton. Specify in part number, ie, YTC0440@M.

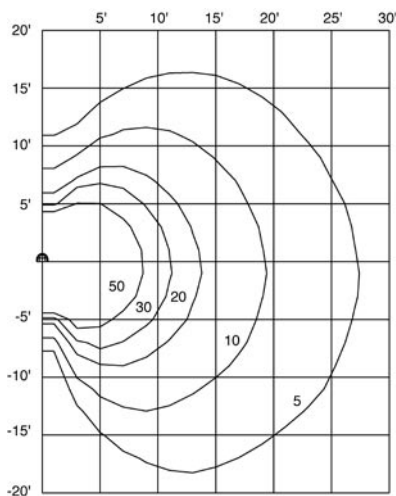
C - Coated Lamp

SB - Straight Blade Plug

ACCESSORIES (Order Separately)

HKSC - Safety Snap-Lok Hook with 3/4 NPT threads

PHOTOMETRICS



YTC Series

Cat #: YTC2440

Lamp: 400W Clear MH

Lumens: 38,000

Certified Test Report: B2013

IES File: DTC440.IES