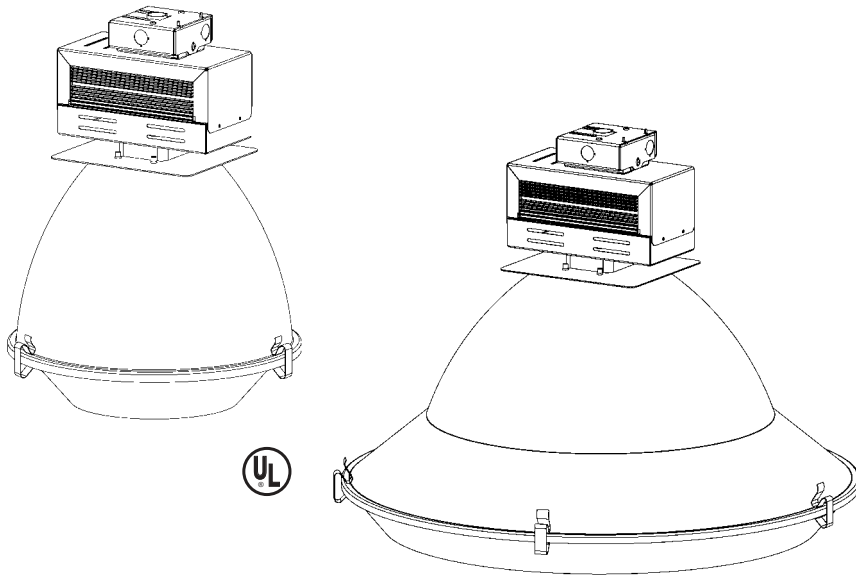


CATALOG NUMBER	TYPE

Electronic Low Bay LZ

16", 22", 30"



Housing: Die-formed heavy gauge steel with white polyester powder coat finish. Compact design with mitered corners for clean and finished appearance. Wide heat dissipating surface area with cooling slots for self-ventilation. Heat shield and spacer provide optimum thermal operation. Integral access chamber and slide box for easy wiring.

Ballast: Fully wired auto voltage input 200-277V, 50/60Hz. Instant start, high power factor, high frequency microprocessor controlled operation with <15% harmonic distortion, End of Life protection and shutdown circuit, thermal protection, sound rated A, EMI/RFI compliant as per IEC CISPR15/FCC and continuous dimming. Integral 0-10V dimming interface allows for up to 50% power. After power loss, lamps run at full power for 15 minutes before restoring to previous dimmed setting. Lamp wattage shall not vary more than +/-0.5% for +/-10V input change. Minimum starting temperature -40°C.

Lamp: Supplied with 4KV pulse rated porcelain mogul socket. Lamp supplied as specified for 320, 350, and 400W open and protected Pulse Start metal halide.

Optics: High performance spun aluminum reflector with a white powder coat finish and UV inhibitor equipped with an injection molded, virgin, color resistant acrylic drop lens. The compact LZS covers a wide area with vertical & horizontal footcandles minimizing shadows and reducing fixture glare. The LZM provides high light levels, good three-dimensional visibility and a wide beam pattern. The stepped LZL design spreads light evenly and with minimum glare.

Mounting: Direct hard wire, or Hook, Cord & Plug (specify in part number). 3/4" threaded conduit hub standard. Optional die-cast aluminum Safety Snap-Lok hook with 3/4 NPT threads, 6' 16-3 Cord, and L7-15 NEMA twist lock plug supplied as standard. Consult factory for straight blade plug. Optional SPARTANFLEX™ for faster installation and future flexibility. The slide box has an adjustable assembly for balancing the fixture and for uneven mounting surfaces. Easy access chamber provides additional room for wiring. Simple keyhole installation of optical assembly. Drop lens assemblies with latched stainless steel ring (LZS) or hinged ring with 4 clips for tool-free lamp access (LZM/LZL). UL and C-UL listed for damp locations. 40°C operation.

Options & Accessories: See back for quartz standby, optional lens assemblies, wire guards and controls.

Warranty: Guaranteed against manufacturing defect for a period of three (3) years. The guarantee is limited to replacement by the Company, and does not cover labor charges, which shall be paid by the Customer.

FEATURES AND BENEFITS

- Electronic HID Operation
 - Preprogrammed microprocessor controlled ballast for optimal performance
 - Controlled start up, less than one minute for cold lamps to reach full light output
 - Faster restrike time, approximately four minutes
 - Maintains color uniformity over lamp life and dimming range
 - Increase in mean lumens and improved lumen maintenance over the life of the lamp versus conventional magnetic
- Dimming Capability
 - Continuous dimming capabilities to 50% of the nominal lamp wattage with industry standard 0-10VDC controls
- Die-formed heavy gauge steel pod housing
 - Compact design with mitered corners, wide heat dissipating surface area with cooling slots for self-ventilation
- Easy optical attachment
 - Simple keyhole installation of optical assembly

DIMENSIONS AND MOUNTING HEIGHT

	Fixture Height Max.	Fixture Width	Ceiling Height	Approximate Ship Weight
LZS Series	24.5"	16"	below 20'	17 lbs.
LZM Series	24.5"	22"	below 20'	18 lbs.
LZL Series	23.6"	30"	below 20'	24 lbs.



ORDERING INFORMATION

	Wattage Lamp	Split-Box	Hook, Cord & Plug
LZS Series 16" Reflector	320 MH/PS	LZS0832 -(a)(b)	LZS2832 -(a)(b)+
	350 MH/PS	LZS0835 -(a)(b)	LZS2835 -(a)(b)+
	400 MH/PS	LZS0840 -(a)(b)	LZS2840 -(a)(b)+
LZM Series 22" Reflector	320 MH/PS	LZM0832 -(a)(b)	LZM2832 -(a)(b)+
	350 MH/PS	LZM0835 -(a)(b)	LZM2835 -(a)(b)+
	400 MH/PS	LZM0840 -(a)(b)	LZM2840 -(a)(b)+
LZL Series 30" Reflector	320 MH/PS	LZL0832 -(a)(b)	LZL2832 -(a)(b)+
	350 MH/PS	LZL0835 -(a)(b)	LZL2835 -(a)(b)+
	400 MH/PS	LZL0840 -(a)(b)	LZL2840 -(a)(b)+

* Includes bottom lens assembly. + Specify voltage (a) for plug.

(a) Voltage Suffix Key

Indicate voltage in space (a)
Auto Voltage Input **(A)**
277 Volt **(2)**
208 Volt **(3)**
240 Volt **(4)**

(b) Options (Factory Installed) Suffix Key:

Indicate in space (b) unless otherwise noted
C - Coated Lamp
G - Filtered Optics – For dirty environments, a special charcoal filter option is available to keep the inside refractor clean and efficient
H - High-2-Low – Dimmable to 50% power
K - Conical Lens Assembly

L - Flat Lens Assembly (included on * fixtures above)

Q - Quartz Standby - hot and cold start
120V/150W internal auxiliary output until HID lamp power reaches 50%
SB - Straight Blade Plug
U - 6' Ballast/Shade Safety Chain
Hook & SPARTANFLEX™ Drop Cord (indicate after product prefix, ie, ZTLG0840-3)
G - 208/240V **N** - 277V

ACCESSORIES (Order Separately)

CONTROLS

Dimming Module

DMC-1 - 0-10V Dimming Control

Passive Infrared Occupancy Sensors

CX-100 - Wide Angle Lens – up to 2000 sq. ft.
CX-100-1 - Long Range Lens – up to 90 linear ft.
CX-100-4 - One-sided Aisleway Lens – up to 200 linear ft.
CX-100-3 - Two-sided Aisleway Lens – up to 50 linear ft.

Round Motion Sensor

CI-200 - Extended Range Lens – up to 1200 sq. ft. 360°
CI-200-1 - High Density Range Lens – up to 500 sq. ft. 360°

Mounting Brackets for CX-100 and CI-200 Series

MB1 - Control Mounting Bracket for ceilings or fixtures
MB2 - Control Mounting Bracket for acrylic & aluminum optics

Daylight Harvesting Control

LS-201 - Detects ambient light levels in 60° field of view

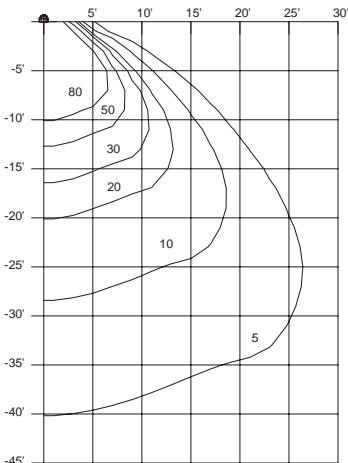
Power Supply

Provides 24VDC operating voltage to CX and CI Series Sensors
B-120E-P - 120/220V
B-277E-P - 240/277V

WIRE GUARDS

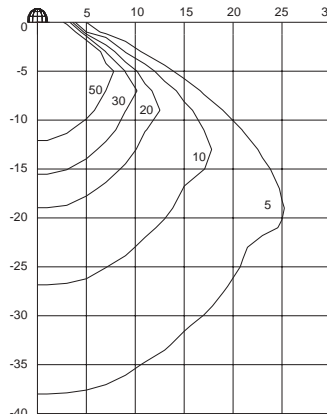
EB22WG - 22" Wire guard

PHOTOMETRICS



22" Low Bay
Cat #: LZM0840
Lamp: 400W Clear MH/PS
Lumens: 44,000
Certified Test Report: ITL45177
IES File: LBM440SE.IES
Spacing Criteria: 1.8

LZS Spacing Criteria: 1.3 - 2.0
LZM Spacing Criteria: 1.8
LZL Spacing Criteria: 1.3 - 2.0



30" Low Bay
Cat #: LZL0840
Lamp: 400W Clear MH/PS
Lumens: 38,000
Socket Position: 7
Certified Test Report: LTL03846
IES File: LBL0440.IES
Spacing Criteria: 1.5

