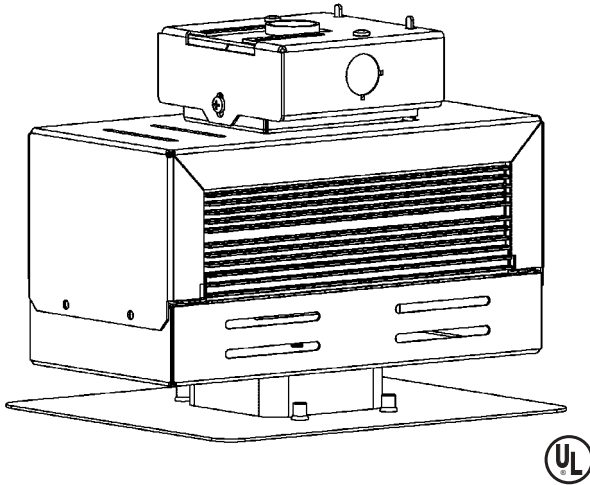


CATALOG NUMBER	TYPE

## Remote Electronic Z-Pod RZP



**Housing:** Die-formed heavy gauge steel with white polyester powder coat finish. Compact design with mitered corners for clean and finished appearance. Wide heat dissipating surface area with cooling slots for self-ventilation. Heat shield and spacer provide optimum thermal operation. Integral access chamber and slide box for easy wiring.

**Ballast:** Fully wired auto voltage input 200-277V, 50/60Hz. Instant start, high power factor, high frequency microprocessor controlled operation with <15% harmonic distortion, End of Life protection and shutdown circuit, thermal protection, sound rated A, EMI/RFI compliant as per IEC CISPR15/FCC and continuous dimming. Integral 0-10V dimming interface allows for up to 50% power. After power loss, lamps run at full power for 15 minutes before restoring to previous dimmed setting. Lamp wattage shall not vary more than +/-0.5% for +/-10V input change. Minimum starting temperature -40°C.

**Optics:** The RZP is intended for use with CEW Remote Shade Assemblies. The RS Series is available in spun aluminum, faceted aluminum and prismatic acrylic.

**Mounting:** Remote mount up to 10 feet from optical assembly. Direct hard wire, or Hook, Cord & Plug (specify in part number). 3/4" threaded conduit hub standard. Optional die-cast aluminum Safety Snap-Lok hook with 3/4 NPT threads, 6' 16-3 Cord, and L7-15 NEMA twist lock plug supplied as standard. Consult factory for straight blade plug. Optional SPARTANFLEX™ for faster installation and future flexibility. The slide box has an adjustable assembly for balancing the fixture and for uneven mounting surfaces. Easy access chamber provides additional room for wiring. UL and C-UL listed for damp locations. 40°C operation.

**Options & Accessories:** See back for quartz standby and controls.

**Warranty:** Guaranteed against manufacturing defect for a period of three (3) years. The guarantee is limited to replacement by the Company, and does not cover labor charges, which shall be paid by the Customer.

### FEATURES AND BENEFITS

- |  |   |
|--|---|
| Electronic HID Operation                 | ➤ Preprogrammed microprocessor controlled ballast for optimal performance   |
|  | ➤ Controlled start up, less than one minute for cold lamps to reach full light output                             |
|  | ➤ Faster restrike time, approximately four minutes  |
|  | ➤ Maintains color uniformity over lamp life and dimming range   |
|  | ➤ Increase in mean lumens and improved lumen maintenance over the life of the lamp versus conventional magnetic   |
| Dimming Capability                       | ➤ Continuous dimming capabilities to 50% of the nominal lamp wattage with industry standard 0-10VDC controls      |
| Die-formed heavy gauge steel pod housing | ➤ Compact design with mitered corners, wide heat dissipating surface area with cooling slots for self-ventilation |
| Remote mount                             | ➤ Versatility with low ceiling applications   |
|  | ➤ Conceals ballast pod  |

### DIMENSIONS

	Pod Length	Pod Width	Heat Shield Width	Pod Height	Approximate Ship Weight
RZP Pod	10"	5.3"	8"	7.8"	10 lbs.



# Remote Electronic Z-Pod

## ORDERING INFORMATION

	Wattage Lamp	Split-Box
RZP Remote Pod	320 MH/PS	RZP0832-(a)(b)
	350 MH/PS	RZP0835-(a)(b)
	400 MH/PS	RZP0840-(a)(b)

### (a) Voltage Suffix Key

Indicate voltage in space (a)  
Auto Voltage Input **(A)**  
277 Volt **(2)**  
208 Volt **(3)**  
240 Volt **(4)**

### (b) Options (Factory Installed) Suffix Key:

Indicate in space (b) unless otherwise noted  
**H** - High-2-Low – Dimmable to 50% power  
**Q** - Quartz Standby - hot and cold start  
120V/150W internal auxiliary output until  
HID lamp power reaches 50%

**SB** - Straight Blade Plug

**U** - 6' Ballast/Shade Safety Chain  
Hook & SPARTANFLEX™ Drop Cord  
(indicate after product prefix, ie, ZBL**G**0840-3)  
**G** - 208/240V **N** - 277V

## ACCESSORIES (Order Separately)

### CONTROLS

#### Dimming Module

**DMC-1** - 0-10V Dimming Control

#### Passive Infrared Occupancy Sensors

**CX-100** - Wide Angle Lens – up to 2000 sq. ft.  
**CX-100-1** - Long Range Lens – up to 90 linear ft.  
**CX-100-4** - One-sided Aisleway Lens – up to 200 linear ft.  
**CX-100-3** - Two-sided Aisleway Lens – up to 50 linear ft.

#### Round Motion Sensor

**CI-200** - Extended Range Lens – up to 1200 sq. ft. 360°  
**CI-200-1** - High Density Range Lens – up to 500 sq. ft. 360°

### Mounting Brackets for CX-100 and CI-200 Series

**MB1** - Control Mounting Bracket for ceilings or fixtures  
**MB2** - Control Mounting Bracket for acrylic & aluminum optics

### Daylight Harvesting Control

**LS-201** - Detects ambient light levels in 60° field of view

### Power Supply

Provides 24VDC operating voltage to CX and CI Series Sensors  
**B-120E-P** - 120/220V  
**B-277E-P** - 240/277V