

# BOLLARDS

## ROUND & SQUARE



Architecturally  
Designed  
Outdoor  
Lighting For  
Walkways,  
Drives,  
Entrances,  
& Other  
Public Areas.



LISTED FOR WET LOCATIONS



# SPECIFICATIONS

## HOUSING

Available in two styles, square and round in two standard colors black and white. Durable seamless extruded aluminum with a removable top section for ease in relamping.

## MOUNTING

Heavy duty aluminum base plate shall be mounted to the ground with 3 - 3/8 X 6" J-Bolts and leveling nuts.

## FINISH

Powder coated in standard color white or black. Special colors on request.

## LABELING

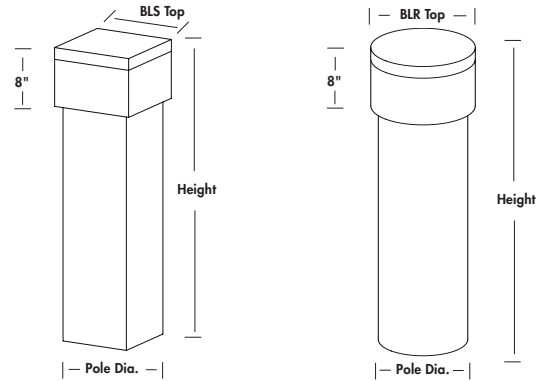
All sizes and wattages are UL Listed for Wet Locations.

## LAMP WATTAGES



Both Square and Round Bollards come in 35W, 50W, & 70W HPS and 50W & 70W Pulse Start Metal Halide Wattages in all three pole heights.

## DIMENSIONS

	Fixture Pole Size	Fixture Top Size	Fixture Height	Approx. Ship Wt.
BLR Series	6"	7"	24"/36"/42"	28 lbs.
BLS Series	6"	7"	24"/36"/42"	25 lbs.



## ORDERING CODES

PRODUCT SERIES	FIXTURE HEIGHT	LIGHT SOURCE	LAMP WATTAGE	VOLTAGE (a)	COLOR (b)	OPTIONS (c)
<b>BLR</b> <b>(6" ROUND)</b> 	A = 24"	5 = HPS	03 = 30W	1 = 120 V	WT = WHITE	HPF = 120V
	B = 36"	9 = PULSE START	05 = 50W	M = MULTI-TAP	BK = BLACK	HPS
	C = 42"	OPEN RATED MH	07 = 70W		ZZ = CUSTOM	ONLY
	A or B or C.....	5.....	03.....	1.....	(b).....	(c)
	A or B or C.....	5.....	05.....	1.....	(b).....	(c)
	A or B or C.....	5.....	05.....	M.....	(b).....	
	A or B or C.....	5.....	07.....	1.....	(b).....	(c)
	A or B or C.....	5.....	07.....	M.....	(b).....	
	A or B or C.....	9.....	05.....	M.....	(b).....	
	A or B or C.....	9.....	07.....	M.....	(b).....	
<b>BLS</b> <b>(6" SQUARE)</b> 	A or B or C.....	5.....	03.....	1.....	(b).....	(c)
	A or B or C.....	5.....	05.....	1.....	(b).....	(c)
	A or B or C.....	5.....	05.....	M.....	(b).....	
	A or B or C.....	5.....	07.....	1.....	(b).....	(c)
	A or B or C.....	5.....	07.....	M.....	(b).....	
	A or B or C.....	9.....	05.....	M.....	(b).....	
	A or B or C.....	9.....	07.....	M.....	(b).....	

THESE ARE THE SERIES LETTERS FOR THE FIXTURE.

THESE ARE THE HEIGHT DIMENSIONS FOR THE FIXTURE.

THESE ARE THE LAMP TYPES FOR THE FIXTURE.

THESE ARE THE LAMP WATTAGES FOR THE FIXTURE.

THESE ARE THE VOLTAGES FOR THE FIXTURE.

THESE ARE THE COLORS FOR THE FIXTURE.

THESE ARE THE OPTIONS FOR THE FIXTURE.

EXAMPLE OF A TYPICAL ORDERING CODE LOGIC FOR A WHITE BOLLARD 36" BLS SQUARE SERIES 50W PULSE START OPEN RATED MULTI-TAP LAMP IS AS FOLLOWS:

BLS	B	9	05	M	WT
-----	---	---	----	---	----



**C.E.W. LIGHTING, INC.**

Manufacturer of CEW & Spartan HID Lighting Products

14040 Welch Road, Dallas, TX 75244 • 972/960-1993 • FAX 972/387-9711 • 800/242-5267  
 Northeast 800/522-5267 • South/Central 800/848-5267 • Central Branch/Distribution 800/209-9230