

# RH-Series Retrofit High-2-Low™

RHS



RHC/RHL/RHM



A CEW Lighting Company



## RH HIGH-2-LOW™ OUTDOOR RETROFIT

RH SERIES

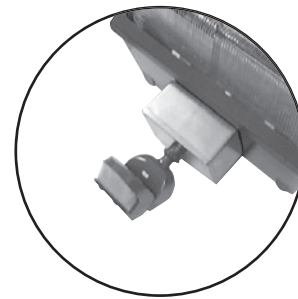
Component	Description	Catalog Number	Shipping Wt.
Motion Sensor	Sensor	RH_____	<1lb

### DESCRIPTION

*Retrofit High-2-Low™ outdoor multi-voltage motion sensor for use with HID fixtures from 175-1000W High Pressure Sodium or Metal Halide. Housing supplied with 1/2" threaded holes for attaching to most floodlights or wall packs. Fixture must have 120V or 277V tap to operate sensor. NEC requires that multi-phase systems have a neutral pulled for the sensor.*

### FEATURES

- Reduces power consumption by approximately 50% when in low mode.
- 180° or 270° coverage approximately 50 ft. feet from fixture.
- Can be retrofitted to most outdoor HID fixtures from 175-1000W.
- Operating Temperature Range -40°F to +130°F.



UL LISTED

### MAX HID WATTAGE

1000W

### LIGHT LEVEL ADJUSTMENT

0.5 FC – 200 FC

### TIME DELAY ADJUSTMENT

12 sec. – 16 min.

### LENS COVERAGE

180° or 270°

### CURRENT CONSUMPTION

50mA Max

### Wattage Range

The RH Series has wattage restrictions according to source. High Pressure Sodium is available in 250W, 400W, and 1000W. Metal Halide is available in 175W, 250W, 400W and 1000W, while Pulse Start Metal Halide allows for 250W, 320W, 350W, 400W, and 450W.

### Capacitor Values

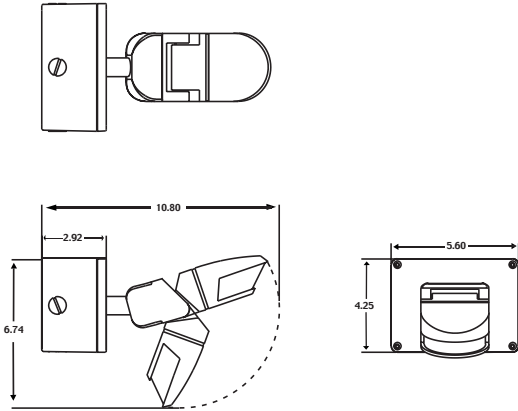
The RH Series is dependant on capacitor values. Capacitor values listed on ballast label are required. Please consult factory with applicable values.

### Mounting Locations

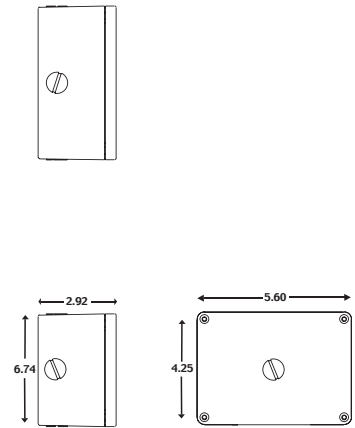
1/2" Threaded Knockouts are on all six sides for mounting to any standard flood. Maximum mounting height of sensor 20ft. Substitute RHL or RHM with RHS and RHC.

# DIMENSIONS

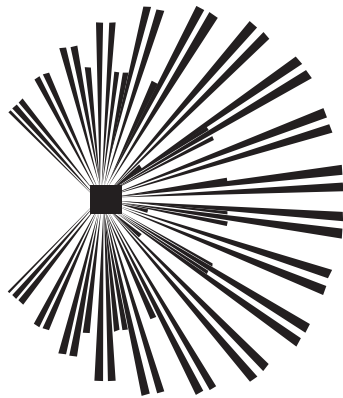
## MASTER WITH SENSOR



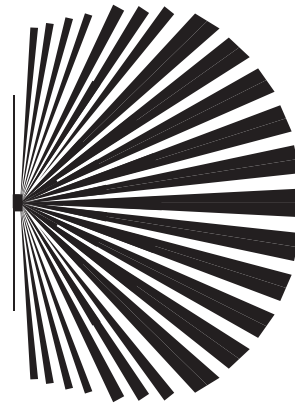
## SLAVE



# SENSOR COVERAGE PATTERNS



270° Coverage



180° Coverage

# SENSOR DISTANCE RANGE

