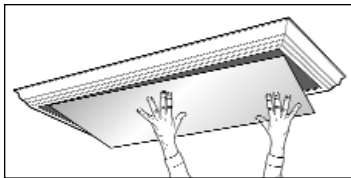
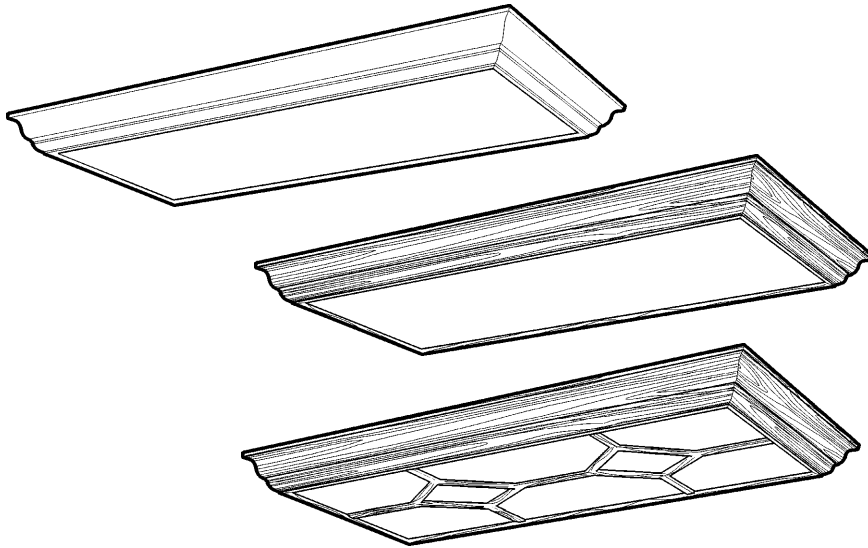


Crown Series CRWN, WPCRWN

1' x 4', 1-1/2' x 4'

CATALOG NUMBER	TYPE



**Lift & Shift Diffuser –
Easy, one-person access.**
1. Lift diffuser
2. Shift slightly into housing
3. Slide out diffuser

Housing: Die-formed heavy gauge steel with high-gloss baked white enamel finish (minimum reflectance 86%) over rust inhibiting phosphoate coat. Knockouts provided.

Shielding: Translucent milk white acrylic diffuser. Lift and shift diffuser for easy cleaning and relamping without tools. Decorative Window Pane diffuser accent available (WPCRWN).

Frame: Bleached oak (BO), medium oak (O), natural oak (NO), and maple (M) or white (W) finished laminate over medium density fiberboard (MDF). Frame attaches to fixture housing for flush mounting.

Electrical: Fully wired for 120V, 60Hz AC operation, thermally protected, automatic resetting, Class P, sound rated A, high-power factor ballast, unless otherwise specified. Electronic T8 shall be instant start, <20% harmonic distortion standard, specify suffix UNV for <10% harmonic distortion. Specify suffix UNV for universal voltage, 120 through 277V, 50/60Hz AC operation, Electronic T8 only. UL and C-UL listed

Mounting: Ceiling mount.

Critical Application: SIMKAR strives to offer the most current product designs and value. Consequently, all SIMKAR products are subject to redesign and revision. Critical applications such as size, operating temperature, or sensor operation should be confirmed with the factory.

FEATURES AND BENEFITS

- | | | |
|--|---|--|
| Regal Crown profile | ➤ | Matches popular ceiling and cabinetry molding |
| Lift and Shift diffuser | ➤ | Easy access for cleaning and relamping without tools |
| Shallow, gasketed, 4" flush mount frame | ➤ | No visible metal work |
| | ➤ | No light leak or halo on the ceiling |
| | ➤ | Shallow depth accommodates lower ceiling heights |
| Flat translucent milk white acrylic diffuser | ➤ | Uniform light distribution |

ORDERING INFORMATION

Example: CRWNO232B1120V

SERIES	FINISH	SIZE*	LAMPS	BALLAST	VOLTAGE
CRWN - Crown	BO - Bleached Oak	124 - 1 x 4	232 - (2) 32W 48" T8	B11 - Electronic T8	120V
WPCRWN - Crown with Window Pane diffuser**	M - Maple	184 - 1-1/2 x 4	332 - (3) 32W 48" T8	B11 RES - Residential Electronic T8	277V
	O - Medium Oak				UNV - 120-277V
	NO - Natural Oak				
	W - White finish				

*CRWN series is only available in 124 and 184 sizes. For 242 crown fixtures refer to our 130, 131, 134, 135 and 144 series
 **WPCRWN, Window Pane Crown, is only available in Medium Oak finish in 184 size

DIMENSIONS

