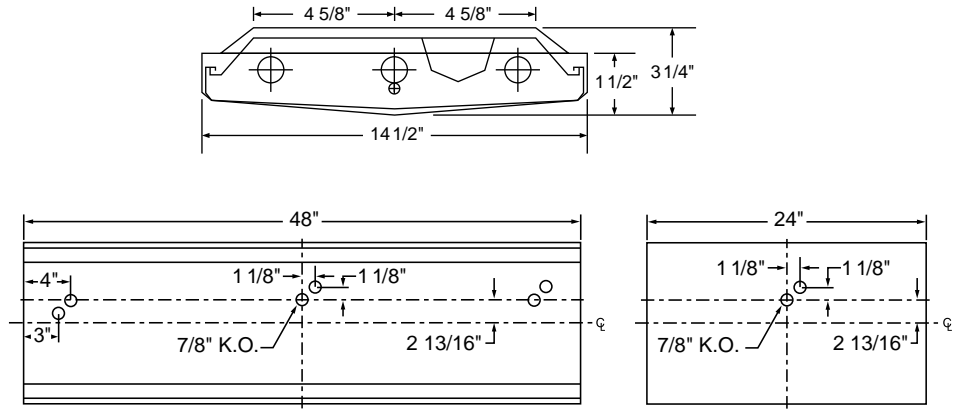
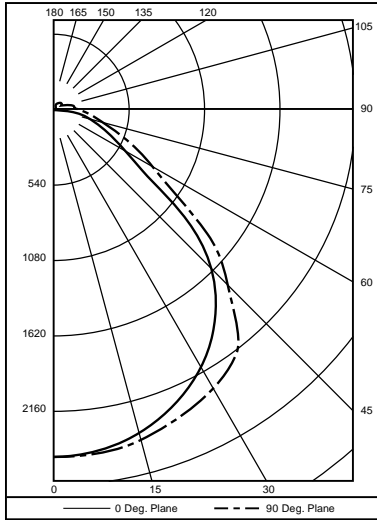


DRAWINGS AND DIMENSIONS



	H x L x W	Footprint
SY920317	3.25" x 24" x 14.5"	24" x 10"
SY920332	3.25" x 48" x 14.5"	48" x 10"

ORDERING INFORMATION

S

MOUNTING

S - Surface
Ceiling

Y

DIFFUSER

Y - Acrylic

920

SERIES

920 - White ends
standard

332

WATTAGE

317 - (3) 17W T8
332 - (3) 32W T8

ELS

OPTION

ELS - Emergency
Lighting System

B11

BALLAST

B11 - Elec. T8

120V

VOLTAGE

120V
277V

SIMKAR
CORPORATION

700 Ramona Avenue
Philadelphia, PA 19120-4691
800-523-3602
www.simkar.com