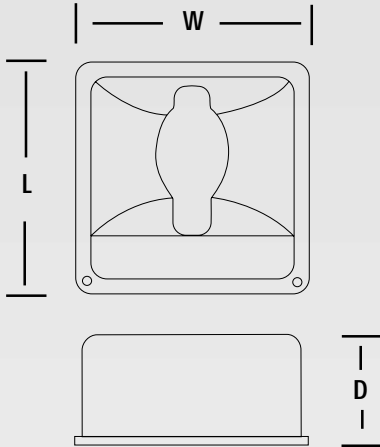


FB Series Standard Floodlight

Dimensions	Fixture Length	Fixture Width	Fixture Depth	Approx. Ship Wt.
FBS Series	12.4"	12.4"	5.25"	25 LBS.
FBM Series	16.4"	16.4"	7.0"	33 LBS.
FBL Series	23.4"	23.4"	10.25"	68 LBS.



EPA Rating: Listed on page 34.

Housing

The sleek square 12", 16" & 23" die cast aluminum housing with flush door frame and rounded edges are standard with bronze, black, or white polyester powder top coat, other colors available (Consult Factory). The fixture can be rotated – see "Optics" under the 23" housing.

EPA Rating

Because of its unique design, lower EPA levels are obtained, resulting in lower pole costs.

Optics

The IES NEMA 6 X 7 FB Series is a general purpose floodlight, typically installed with a 45° to 60° vertical tilt to provide a wide coverage of illumination. This fixture is ideal for parking areas, building floodlighting and in various sports lighting applications. The housing of the 23" flood has mounting holes on three sides to allow the housing to rotate 90° both left and right.

Lens

A clear, tempered glass lens is held securely in a die cast door frame.

Ballast

All fixtures are standard with a high power factor multi-tap ballast (except 480V). All units are supplied with a 36" SOW16/3 cord connected to requested voltage. If no voltage is specified, cord is connected to 277V lead.

Lamps

The 12" housing utilizes a 50-175W medium base lamp and the 16" housings utilize 70W-400W mogul base lamps & the 23" housing can be used for up to 1000W.

Mounting Options

For complete descriptions of mounting options, please refer to pages 26-27. For uplighting fixture must have a minimum 1° tilt so that contaminants do not create a hot spot and damage the lens.

Warranty

The FB Standard Floodlight sold by C.E.W. Lighting, Inc., unless otherwise specified, will be warranted to be free of defects in materials and workmanship under normal use and service for a period of five (5) years from date of shipment, 175W-1000W. Lower wattages will be warranted for (2) years. If found to be defective by us, we will replace the non-performing components.

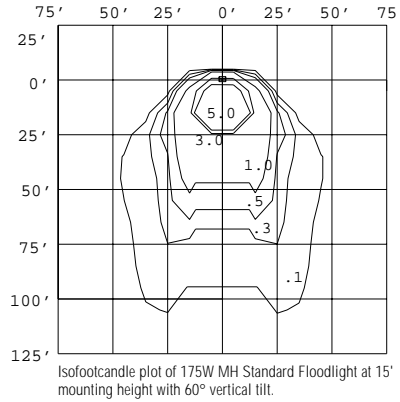
55°C Ambient Rated



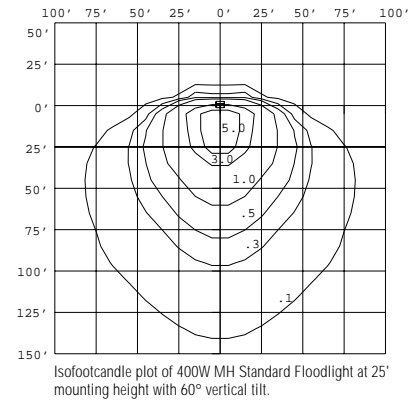
LISTED FOR WET LOCATIONS
CONSULT FACTORY FOR CUL AVAILABILITY

I.E.S. photometrics available by e-mail or on disk

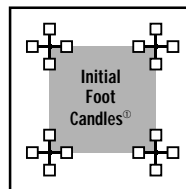
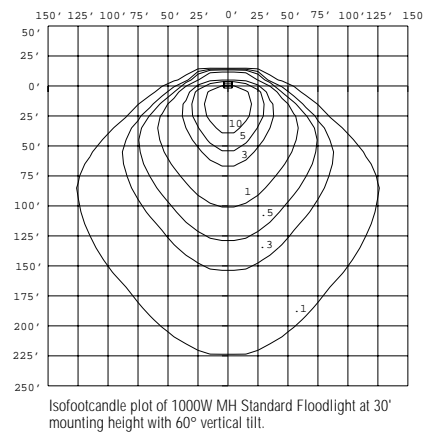
12" FBS



16" FBM



23" FBL



Criteria:
Floodlight FB Series
Mounting Height: 25'
Wattage: 400W
Mounting: 2" Adjustable Slip Fitter
Pole Spacing: 4 times mounting height

Standard Floodlight Pole Spacing Selection Guide

Lamp Type	Desired Mounting Height	Tilt Angle	Design Footcandles	Catalog Number
Metal Halide				
175W	12'	60	9.5	FBS3417
400W	20'	60	9.3	FBM3440
400W	25'	60	5.9	
1000W	30'	60	15.7	FBL3499
1000W	35'	60	11.2	
High Pressure Sodium				
250W	20'	60	9.3	FBM3525
400W	25'	60	10.7	FBM3540
1000W	30'	60	18.0	FBL3599
1000W	35'	60	13.0	

©Initial footcandles assume 4 floodlights per pole.



To build catalog numbers refer to inside front cover

Standard Floodlight Order Information

Housing Size (sq.)	Wattage Lamp	Catalog Number (add mounting code)	Mounting Code (Insert Code at * in Cat. #)
12"	175W MH	FBS*417-M(b)	3 = 2" Adjustable Slip Fitter
ESS	50W MH/PS	FBS*805-M(b)	4 = Yoke Mt.
ESS	70W MH/PS	FBS*807-M(b)	8 = Without Mounting
ESS	100W MH/PS	FBS*810-M(b)	9 = Drill for Wishbone Mt.
ESS	150W MH/PS	FBS*815-M(b)	(23" Housing Factory Drilled for Wishbone is Standard.)
16"	175W MH	FBM*417-(a)(b)	
	250W MH	FBM*425-(a)(b)	
	400W MH	FBM*440-(a)(b)	
ESS	200W MH/PS	FBM*820-(a)(b)	
ESS	250W MH/PS	FBM*825-(a)(b)	
ESS	320W MH/PS	FBM*832-(a)(b)	
ESS	350W MH/PS	FBM*835-(a)(b)	
ESS	400W MH/PS	FBM*840-(a)(b)	
23"	1000W MH	FBL*499-(a)(b)	
12"	35W HPS	FBS*503-1(b)	
	50W HPS	FBS*505-(a)(b)	
	70W HPS	FBS*507-(a)(b)	
	100W HPS	FBS*510-(a)(b)	
	150W HPS	FBS*515-(a)(b)	
16"	70W HPS	FBM*507-(a)(b)	
	100W HPS	FBM*510-(a)(b)	
	150W HPS	FBM*515-(a)(b)	
	250W HPS	FBM*525-(a)(b)	
	400W HPS	FBM*540-(a)(b)	
23"	600W HPS	FBL*560-(a)(b)	
	1000W HPS	FBL*599-(a)(b)	(For wall mount brackets see page 47)

(a) Voltage Suffix Key: Indicate voltage in space (a)

Description	120 Volt	277 Volt	208 Volt	240 Volt	480 Volt	Multi-tap
	1	2	3	4	5	M
	tapped @ 277V					

(b) Options: Indicate options in space (b) (Factory Installed)

Description	SUFFIX (b)
Fusing	
Single (120V & 277V) (16" & 23" Housing Only) <i>Specify Voltage in Suffix (a)</i>	F
Dual (208-240-480V) (16" & 23" Housing Only) <i>Specify Voltage in Suffix (a)</i>	J
High-2-Low Option (16" & 23" Housing Only) (See Pgs. 28 & 29)	H
Photo Control (A twist lock receptacle and matching photocell are supplied.) 16" & 23" ONLY <i>Specify Voltage in Suffix (a)</i>	P
Quartz Standby (Includes Q lamp: 50W=12", 150W = 16", 250W = 23") Hot/Cold type.	Q
White Housing (Custom Colors Available: Consult factory for pricing and delivery.)	WT
Black Housing (Custom Colors Available: Consult factory for pricing and delivery.)	BK

Accessories: (Field-Installed)	12" housing	16" housing	23" housing
Description	Catalog Number	Catalog Number	Catalog Number
Deep Baffle	—	BAF-16	BAF-23
Wire Guard	WG-12	WG-16	WG-23
Glare Shield	GSH-12	GSH-16	GSH-23
Vandal Shield	VS-12	VS-16	VS-23
Wishbone Mt. for 4" Round Pole		WBR16①	WBR23①
Wishbone Mt. for 4" Square Pole		WBS16①	WBS23①

① See page 30 – Tenon Adaptor for restrictions.

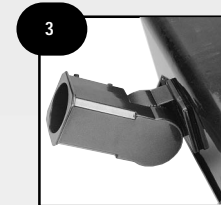
FB Series Standard Floodlight

Wattage Range:
35-1000W



Lamp Included

Mountings



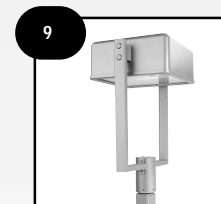
3

2" Adjustable Slip Fitter



4

Yoke Mount



9

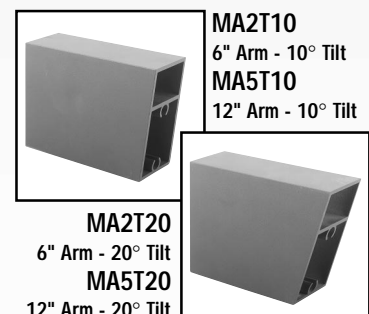
Wishbone Mount
(16" & 23" Only)



8

Without Mounting (Factory Drilled)
For use with 1-1/2", 6" & 12"
Straight Angle Arms

Note: All 10° & 20° Arms — Order Separately



MA2T20
6" Arm - 20° Tilt
MA5T20
12" Arm - 20° Tilt