

FBD Series 16" Compact Floodlight



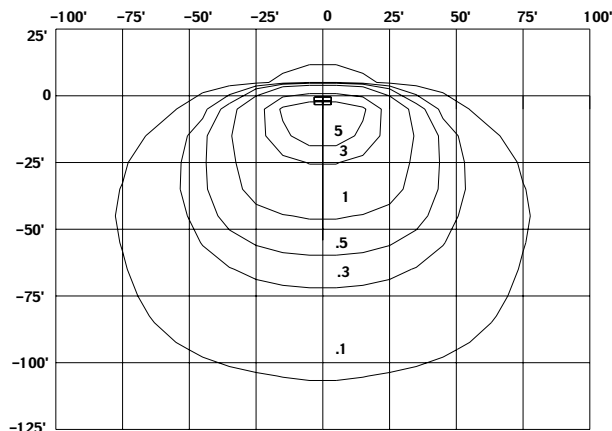
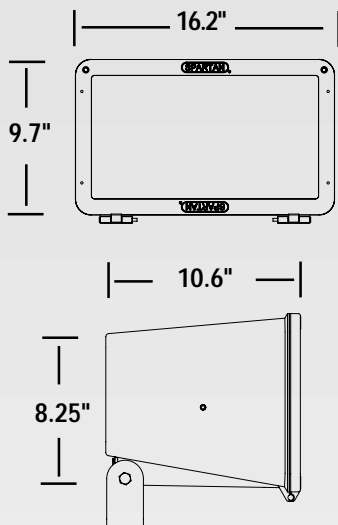
55°C Ambient Rated



LISTED FOR WET LOCATIONS
CONSULT FACTORY FOR CUL AVAILABILITY

I.E.S. photometrics available by e-mail or on disk

Dimensions	Fixture Height	Fixture Width	Fixture Depth	Approx. Ship Wt.
FBD Series	9.7"	16.2"	10.6"	35 lbs.



400W MH FBD floodlight at 25' mounting height, and 65° vertical tilt.

EPA Rating: Listed on page 34.

The FBD Series Compact Floodlight punches out up to 400 watts of light from a well designed reflector ideally suited for mounting on the side of buildings, poles or ground mount .

Housing

Made of rugged corrosion resistant die cast aluminum with an architectural bronze polyester powder coat finish. Its compact size makes this the most economical and powerful floodlight in its range.

Optics

The reflector is made from high quality specular aluminum. NEMA 7 X 7 distribution.

Lens

The front lens is hinged and silicone gasketed to seal out contaminants.

Ballast

All fixtures are standard with a high power factor multi-tap ballast (except 480V).

Lamps

Available in either 175-400W metal halide or 70-400W high pressure sodium, the FBD Series Compact Floodlight utilizes mogul base lamps. (320 - 400W use standard ED37 MH lamps).

Mounting Options

The FBD Series Compact Floodlight comes standard with a yoke mount and pre-wired cord. A trunnion mount and 2 3/8 tenon mount adaptor are available. For uplighting fixture must have a minimum 1° tilt so that contaminants do not create a hot spot and damage the lens.

Warranty

The FBD Series Compact Floodlight sold by C.E.W. Lighting, Inc., unless otherwise specified, will be warranted to be free of defects in materials and workmanship under normal use and service for a period of five (5) years from date of shipment, 175W-1000W. Lower wattages are warranted for (2) years. If found to be defective by us, we will replace the non-performing components.



VOLTAGE TAP COMPARTMENT

To build catalog numbers refer to inside front cover

Compact Floodlight Order Information

FBD Series 16" Compact Floodlight

Wattage Range:
70-400W

Housing Size	Wattage Lamp	Catalog Number	
		Yoke Mount	
LESS LESS LESS LESS	175W MH	FBD4417-(a)(b)	
	250W MH	FBD4425-(a)(b)	
	250W MH/PS	FBD4825-(a)(b)	
	320W MH/PS	FBD4832-(a)(b)	
	350W MH/PS	FBD4835-(a)(b)	
	400W MH	FBD4440-(a)(b)	
	400W MH/PS	FBD4840-(a)(b)	
	70W HPS	FBD4507-(a)(b)	
	100W HPS	FBD4510-(a)(b)	
	150W HPS	FBD4515-(a)(b)	
	250W HPS	FBD4525-(a)(b)	
	400W HPS	FBD4540-(a)(b)	

Note: Pulse Start lamps MUST be Horizontal burn or Universal burn lamps only.

(a) **Voltage Suffix Key:** Indicate voltage in space (a)

Description	120 Volt	277 Volt	208 Volt	240 Volt	480 Volt	Multi-tap
		1	2	3	4	5

tapped @ 277V

(b) **Options:** Indicate options in space (b) (Field Installed)

Description	SUFFIX (b)
Glare Shield	FBD-GS
Wire Guard	FBD-WG
Vandal Shield (Not Shown)	FBD-VS
Photo Control (UL Pending) (A twist lock receptacle and matching photocell are supplied.)	P

(c) **Mounting Options:** Indicate options in space (c) (Field Installed)

Description	SUFFIX (c)
Tenon Mount	FBD-TM
Trunnion Mount	FBD-TR



Lamp Included

Mountings



Yoke Mount



Tenon Mount



Trunnion Mount

Options



Glare Shield



Wire Guard