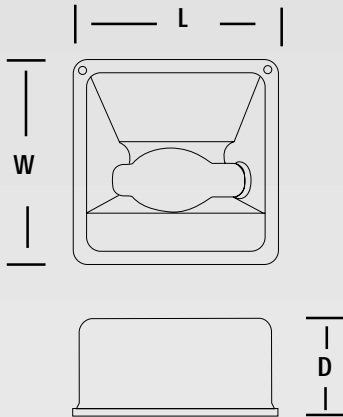


FF Series Forward Throw Luminaire

Dimensions	Fixture Length	Fixture Width	Fixture Depth	Approx. Ship Wt.
FFS Series	12.4"	12.4"	5.25"	18 LBS.
FFM Series	16.4"	16.4"	7.0"	38 LBS.
FFL Series	23.4"	23.4"	10.25"	68 LBS.



EPA Rating: Listed on page 34.

Housing

The sleek square 12", 16" & 23" die cast aluminum housing with flush door frame and rounded edges are standard with bronze, black or white polyester powder top coat, other colors available on request. Rotatable 23" housing — see "Optics".

EPA Rating

Because of its unique design, lower EPA levels are obtained, resulting in lower pole costs.

Optics

This compact Type IV forward-throw reflector has a main beam of 60°+ from vertical (30° from horizontal), providing wide lateral distribution and improved uniformities. A supplied backlight shield permits precise cutoff adjustability. The 23" housing can be rotated 90° both left and right to allow the reflector to rotate.

Lens

A clear, tempered glass lens is held securely in a die cast door frame.

Ballast

All fixtures are standard with a high power factor multi-tap ballast (except 480V). All units are supplied with a 36" SOW16/3 cord connected to requested voltage. If no voltage is specified, cord is connected to 277V lead.

Mounting

For complete mounting options refer to pages 42-47.

Lamps

The 12" housing utilizes a 50-175W medium base lamp and the 16" size utilizes 150-400W mogul base lamps. The 23" size utilizes 1000W MH mogul base lamps. (An ED28 lamp is standard in the 320-400W MH fixtures; a BT37 lamp is standard in the 1000W MH fixtures).

Gasketing

Complete silicone gasketing around the lens frame and at mounting points provide a watertight seal.

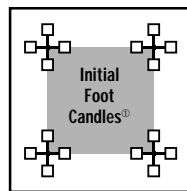
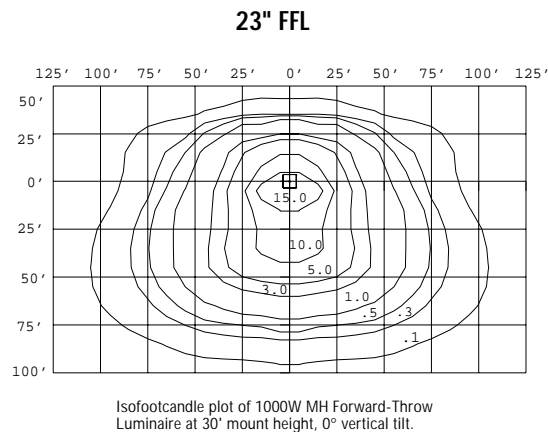
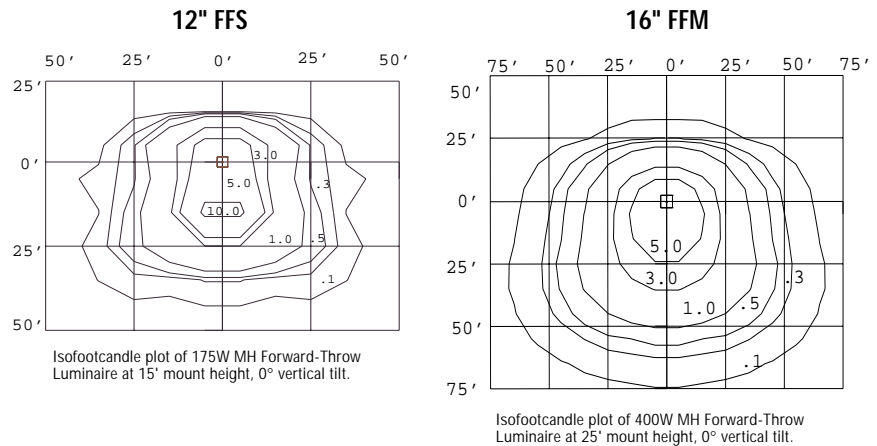
Warranty

The FF Luminaire sold by C.E.W. Lighting, Inc., unless otherwise specified, will be warranted to be free of defects in materials and workmanship under normal use and service for a period of five (5) years from date of shipment, 175W-1000W. Lower wattages will be warranted for (2) years. If found to be defective by us, we will replace the non-performing components.



55°C Ambient Rated LISTED FOR WET LOCATIONS
CONSULT FACTORY FOR CUL AVAILABILITY

I.E.S. photometrics available by e-mail or on disk



Criteria:
FF Series Luminaire 0° vertical tilt.
Mounting Height: 25'
Wattage: 400W
Mounting: 12" Extended Pole Mount
Pole Spacing: 4 times mounting height

Forward Throw Luminaire Pole Spacing Selection Guide

Lamp Type	Desired Mounting Height	Design Footcandles	Catalog Number
Metal Halide			
175W	12'	19.6	FFS2817
400W	20'	13.5	FFM2440
400W	25'	8.3	
1000W	30'	20.0	FFL2499
1000W	35'	14.5	
High Pressure Sodium			
250W	20'	12.2	FFM2525
400W	25'	13.7	FFM2540
400W	30'	9.1	
1000W	30'	27.4	FFL2599
1000W	35'	19.8	

① Initial footcandles assume 4 floodlights per pole.



To build catalog numbers refer to inside front cover

Forward Throw Luminaire Order Information

Housing Size (sq.)	Wattage Lamp	Catalog Number (add mounting code)	Mounting Code (Insert Code at * in Cat. #)	
12"	175W MH	FFS*417-(a)(b)	1 = 1-1/2" Close Pole Mt. ①	
	50W MH/PS	FFS*805-M(b)	2 = 6" Extended Pole Mt. ①	
	70W MH/PS	FFS*807-M(b)	3 = 2" Adjustable Slip Fitter	
	100W MH/PS	FFS*810-M(b)	4 = Yoke Mt.	
	150W MH/PS	FFS*815-M(b)	5 = 12" Extended Pole Mt.	
16"	175W MH	FFM*417-(a)(b)	8 = Without Mounting	
	250W MH	FFM*425-(a)(b)		
	200W MH/PS	FFM*820-(a)(b)		
	250W MH/PS	FFM*825-(a)(b)		
	320W MH/PS**	FFM*832-(a)(b)		
16"	350W MH/PS**	FFM*835-(a)(b)		
	400W MH**	FFM*440-(a)(b)		
	400W MH/PS**	FFM*840-(a)(b)		
	23"	400W MH	FFL*440-(a)(b)	
		1000W MH**	FFL*499-(a)(b)	
12"	35W HPS	FFS*503-1(b)		
	50W HPS	FFS*505-(a)(b)		
	70W HPS	FFS*507-(a)(b)		
	100W HPS	FFS*510-(a)(b)		
	150W HPS	FFS*515-(a)(b)		
16"	150W HPS	FFM*515-(a)(b)		
	250W HPS	FFM*525-(a)(b)		
	400W HPS	FFM*540-(a)(b)		
23"	400W HPS	FFL*540-(a)(b)		
	600W HPS	FFL*560-(a)(b)		
	1000W HPS	FFL*599-(a)(b)	(For wall mount brackets see page 47)	

** Denotes reduced jacket lamp.

(a) Voltage Suffix Key: Indicate voltage in space (a)

Description	120 Volt	277 Volt	208 Volt	240 Volt	480 Volt	Multi-tap
	1	2	3	4	5	M
	tapped @ 277V					

(b) Options: Indicate options in space (b) (Factory Installed)

Description	SUFFIX (b)
Fusing	
Single (120V & 277V) (16" & 23" Housing Only) Specify Voltage in Suffix (a)	F
Dual (208-240-480V) (16" & 23" Housing Only) Specify Voltage in Suffix (a)	J
High-2-Low Option (16" & 23" Housing Only) (See Pgs. 28-29)	H
Quartz Standby - Specify Voltage in Suffix (a) (Includes Q lamp: 50W=12", 150W = 16", 250W = 23") Non delay-relay type	Q
Photo Control - Specify Voltage in Suffix (a) A twist lock receptacle and matching photocell are supplied. (16" & 23" ONLY)	P
White Housing (Custom Colors Available: Consult factory for pricing and delivery.)	WT
Black Housing (Custom Colors Available: Consult factory for pricing and delivery.)	BK

Accessories: (Field-Installed)	12" housing	16" housing	23" housing
Description	Catalog Number	Catalog Number	Catalog Number
Wire Guard	WG-12	WG-16	WG-23
Vandal Shield	VS-12	VS-16	VS-23

① See page 30 - Tenon Adaptor for restrictions.

FF Series Forward Throw Luminaire

Wattage Range:
35-1000W

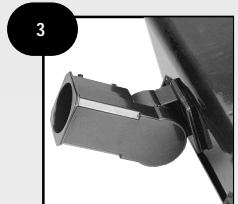


Lamp Included

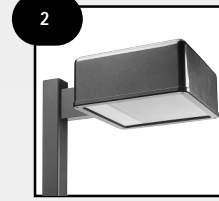
Mountings



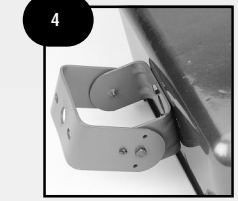
1-1/2" Close Pole Mt.



2" Adjustable Slip Fitter



6" Extended Pole Mt.



Yoke Mount

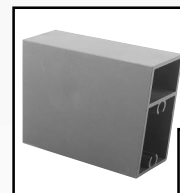


12" Extended Pole Mt.

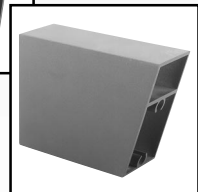


Without Mntg
(Factory Drilled)

Note: All 10° & 20° Arms — Order Separately



MA2T10
6" Arm - 10° Tilt
MA5T10
12" Arm - 10° Tilt



MA2T20
6" Arm - 20° Tilt
MA5T20
12" Arm - 20° Tilt