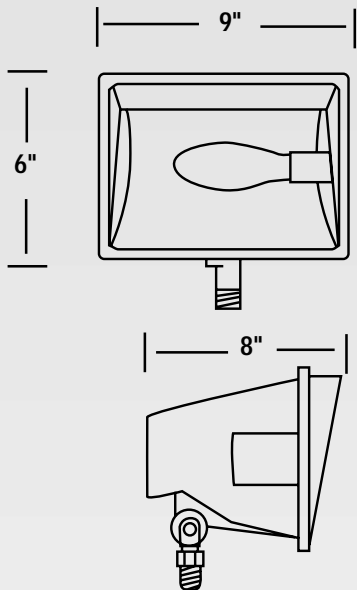


FMS Series 9" Micro Floodlight with Hood



Dimensions	Fixture Height	Fixture Width	Fixture Depth	Approx. Ship Wt.
FMS Series	6"	9"	8"	6 LBS.



EPA Rating: Not Required

Designed for residential and low wattage industrial and commercial applications, the FMS Series is a powerful yet compact die cast aluminum floodlight. Finished with a bronze or white polyester powder coat, it is both architecturally appealing and built to retain its attractive appearance for many years.

Optics

Utilizing a unique multi-surface shielded reflector design, a top and side shield hood and a compact medium base HPS lamp, the FMS Series floodlight is both flexible and energy efficient, providing low fixture visibility and a high light level.

NEMA 6 X 6 distribution.

Maintenance

The top mounted stainless steel latch provides quick tool free access to the lamp compartment. The front lens door is hinged on the bottom for easy removal.

Ballast

The FMS Series comes with a normal power factor (NPF) 120 volt HPS reactor ballast.

Mounting Options

The 1/2" adjustable fitter allows the FMS floodlight to be mounted on a standard box and aimed to any vertical degree setting. Designed for wall, ceiling or ground mount. For uplighting fixture must have a minimum 1° tilt so that contaminants do not create a hot spot and damage the lens.

Lamps

Available only in high pressure sodium, the FMS Series utilizes a medium base lamp in wattages 35W through 150W.

Warranty

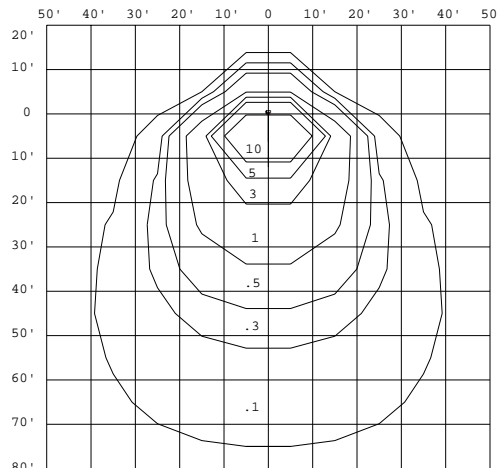
The FMS Series Micro Floodlight sold by C.E.W. Lighting, Inc., unless otherwise specified, will be warranted to be free of defects in materials and workmanship under normal use and service for a period of two (2) years from date of shipment. If found to be defective by us, we will replace the non-performing components.

55°C Ambient Rated



LISTED FOR WET LOCATIONS
CONSULT FACTORY FOR CUL AVAILABILITY

I.E.S. photometrics available by e-mail or on disk



70W HPS FMS floodlight at 12' mounting height, and 45° vertical tilt.

HPS-70 Watt/Clear

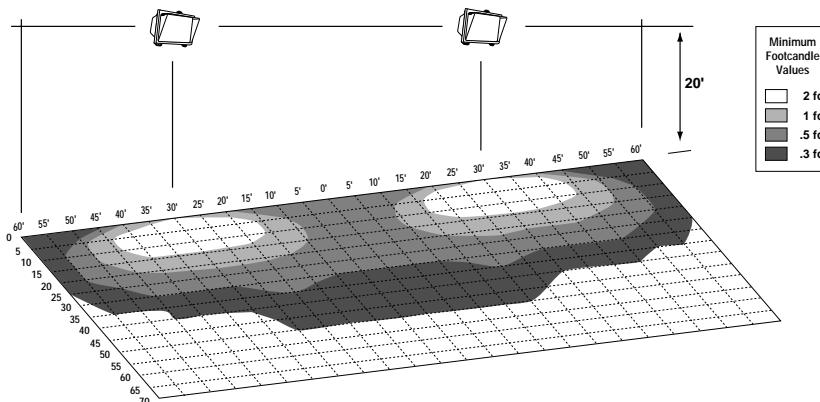
Mounting Height: 20'

Number of Fixtures: 2

Aiming Angle: 45°

The FMS Series photometric data is based on a 70 watt clear HPS lamp rated at 6,300 lamp lumens. Footcandle values for other wattages are obtained by multiplying the chart values by the following factors:

Lamp/Wattage	Factor	Lamp/Wattage	Factor
35W HPS	.36	70W HPS	1.00
50W HPS	.64	100W HPS	1.5
		150W HPS	2.5





To build catalog numbers refer to inside front cover

Micro Floodlight Order Information

Housing Size	Wattage Lamp	Catalog Number
9"	1/2" Adjustable Fitter – 120V (NPF Only)	
	35W HPS	FMS6503-1(b)
	50W HPS	FMS6505-1(b)
	70W HPS	FMS6507-1(b)
	100W HPS	FMS6510-1(b)
	150W HPS	FMS6515-1(b)

(a) Voltage 1=120V (NPF only)

(b) Options: Indicate other options in space (b) (Factory Installed)	SUFFIX
Description	(b)
White Housing (no additional charge)	WT

Replacement Mountings	
1/2" Adjustable Fitter	MA6-FMS
1/2" Tenon Adaptor	MA6-TA

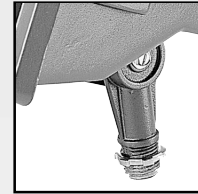
**FMS Series
9" Micro Floodlight with Hood**

Wattage Range:
35-150W

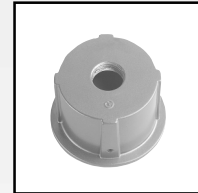


Lamp Included

Mountings



1/2" Adjustable Fitter
(MA6-FMS)



1/2" Tenon Adaptor
(MA6-TA)