

SLF SPORTS FLOODLIGHT

SLF SERIES

Reflector Size	Wattage Lamp	Catalog Numbers	Shipping Wt.
21" Diameter	1000W/1500W	SLF _____	65-75lbs.(approximate)

FIXTURE SPECIFICATION

NEMA Type 3.4.5. or 6 anodized faceted, filtered aluminum reflector with a twist on field installed feature, mounted to thermally separated socket housing with 3 position 5KV mogul socket. A lens with silicone gasket, tempered glass and stainless steel hardware allow for easy lamp replacement without using tools. The die cast aluminum housing has a separation between the ballast compartment and socket to allow for a cooler running fixture, this results in longer life for both ballast and lamp. Polyester powder coated light gray, protects the housing against the elements. The heavy duty trunnion mount has aiming angles for easy installation. Hardware kit includes galvanized bolts and nuts for attaching to most cross arms or poles. EPA=2.7 sq. ft.



DIMENSIONS



FIXTURE TECHNICAL SPECIFICATIONS

Housing

Die cast aluminum with easy access to ballast compartment. Polyester powder coated gray finish.

Optics

Faceted, filtered heavy wall anodized aluminum reflectors provide four alternate NEMA beam patterns using two styles of reflectors.

Lens Assembly

Tempered glass assembly with silicone gasketed lens ring and stainless steel clips for easy lamp replacement.

Ballast

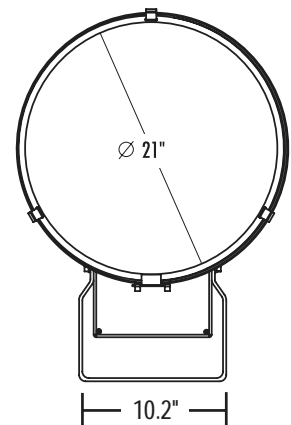
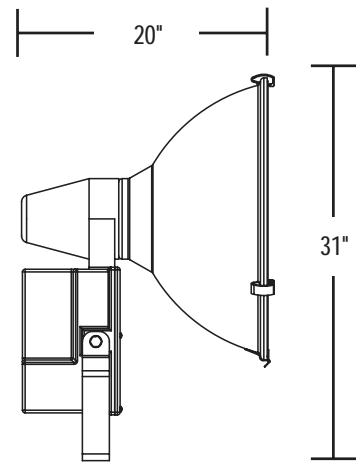
1000/1500W super CWA multi voltage ballast is heat sunk, using a uniquely designed "hold down" wedge, for a cooler running ballast.

Wiring

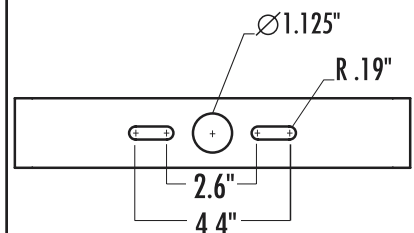
Fixture is supplied standard with 6ft 16/3 SOW cord and water tight strain relief. 1500W fixture tapped at 120V requires 14/3 SOW cord.

Mounting

Heavy duty trunnion mount with galvanized hardware kit for mounting to crossarms, poles, walls etc.




HOLE PATTERN FOR YOKE/TRUNNION



ORDERING INFORMATION

TYPE _____

PRODUCT SERIES	MOUNTING	LIGHT SOURCE	LAMP WATTAGE	VOLTAGE (a)	NEMA TYPE	ACCESSORIES
SLF	7 = TRUNNION MOUNT	4 = METAL HALIDE	99 = 1000W 95 = 1500W	M = MULTI-TAP *M5 = 120V-480V  5 = 480 *1000W ONLY	3 = NEMA 3 REFLECTOR 4 = NEMA 4 REFLECTOR 5 = NEMA 5 REFLECTOR 6 = NEMA 6 REFLECTOR	SLF-GS = GLARE SHIELD CA = CROSS ARM MOUNT S2-T2-WPG = 2 LIGHT CROSS ARM MOUNT S3-T3-WPGM = 3 LIGHT CROSS ARM MOUNT S4-T4-WPG = 4 LIGHT CROSS ARM MOUNT SSL-TM = TENON MOUNT
THESE ARE THE SERIES LETTERS FOR THE FIXTURE.	THESE ARE THE MOUNTING TYPES FOR THE FIXTURE.	THESE ARE THE LAMP TYPES FOR THE FIXTURE.	THESE ARE THE LAMP WATTAGES FOR THE FIXTURE.	THESE ARE THE VOLTAGES FOR THE FIXTURE.	THESE ARE THE NEMA OPTIONS FOR THE FIXTURE.	THESE ARE THE ACCESSORIES FOR THE FIXTURE.

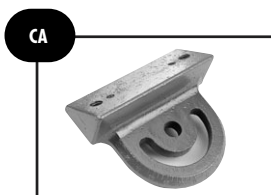
Example of A Typical Ordering Code Logic:
A SLF fixture with a Trunnion mount; Metal Halide 1500W; Multi-tap ballast; NEMA 3 Reflector.

SLF	7	4	95	M	3	
-----	---	---	----	---	---	--

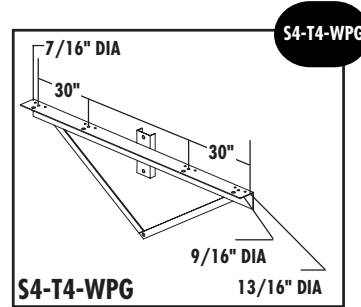
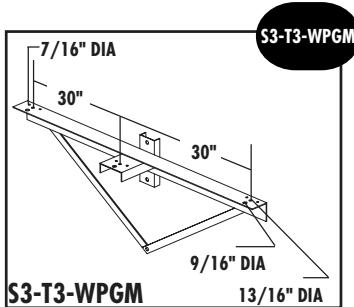
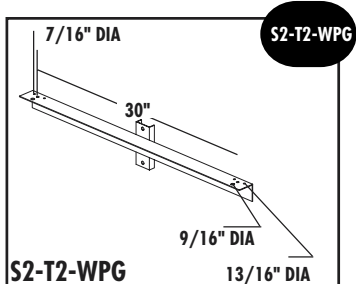
MOUNTING OPTIONS



TENON MOUNT



CROSS ARM MOUNT



SPARTAN LIGHTING MANUFACTURING COMPANY

14040 WELCH ROAD, DALLAS, TX 75244 • 800/242-5267 • 972/960-1993 • FAX 972/387-9711 • www.cewlighting.com SLF0303



55°, 65° Ambient Rated



LISTED FOR WET LOCATIONS
CONSULT FACTORY FOR CUL AVAILABILITY

I.E.S. photometrics available by e-mail or on disk

To build catalog numbers refer to inside front cover

Sports Floodlight Order Information

Housing Size (sq.)	Wattage Lamp	Catalog Number (add mounting code)
21"	1000W MH	SSF0499-(a)(b)
	1500W MH	SSF0495-(a)(b)
	1000W HPS	SSF0599-(a)(b)

(a) Voltage Suffix Key: Indicate voltage in space (a)

Description	480 Volt	Multi-tap
	5	M
	120/208/240/277V	

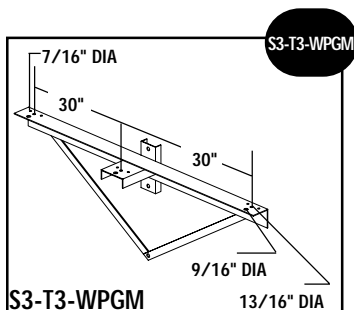
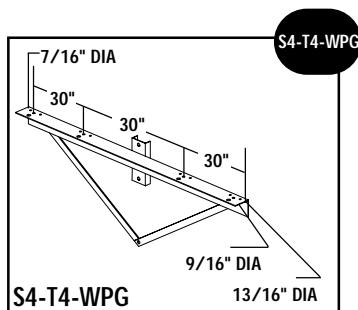
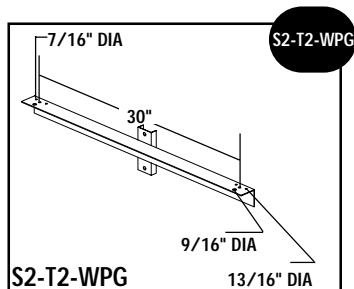
(b) Options: Indicate options in space (b) (Factory Installed)

Description	SUFFIX (b)
NEMA Type (Must Follow The Voltage (a) In The Order Code)	
3 X 3	3
5 X 5	5
6 X 6	6
Fusing	
Single	F
Dual	J

Accessories:

Description	Catalog Number
Glare Shield	SSF-GS
Tenon Mount	RSY4
Two Light Cross Arm Mount	S2-T2-WPG
Three Light Cross Arm Mount	S3-T3-WPGM
Four Light Cross Arm Mount	S4-T4-WPG

Mountings

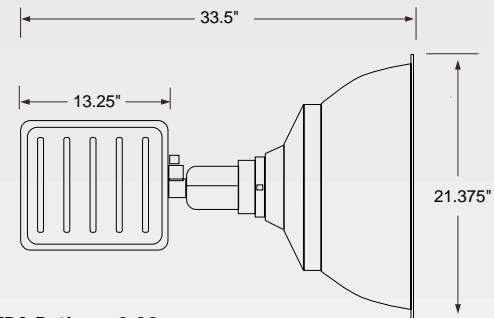


SSF Series - Sports Floodlight

Wattage Range:
1000-1500W



Dimensions	Fixture Length	Fixture Width	Ballast Length	Approx. Ship Wt.
SSF Series	33.5"	21"	13.25"	40-60 LBS.



EPA Rating – 2.39

Housing

The die cast aluminum housing is fully perimeter gasketed for environmental protection of electrical components. Each fixture is polyester powder coated – bronze is standard.

Optics

The reflectors are spun aluminum precision reflectors with contours for high illumination performance.

Lens

Polished, tempered safety glass.

Lamps

The SSF Series is available with a 1000W Metal Halide, 1000W High Pressure Sodium lamp or a 1500W Metal Halide lamp.

Mounting

A 5/8" bolt for direct steel cross arm mount is standard. A tenon adaptor is available for pole mounting. A selection of cross arm mounts are also available.

Optional Aiming Scales with Sights

Each installation is easily adaptable for individual lighting preferences with the aiming options.

Warranty

The SSF Sports Flood sold by C.E.W. Lighting, Inc., unless otherwise specified, will be warranted to be free of defects in materials and workmanship under normal use and service for a period of five (5) years from date of shipment. If found to be defective by us, we will replace the non-performing components.