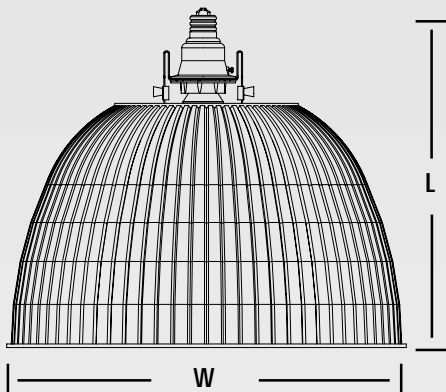


R-CAD™ 816, 822 & 825 Series 16", 22" & 25" Prismatic Refractors



Dimensions	Fixture Length		Fixture Width	w/Drop Lens-Add
	Min. ①	Max. ②		
816 Series	14.8"	18.4"	16"	3.5" TO L
822 Series	17.4"	21.0"	22"	3.0" TO L
825 Series	18.0"	21.6"	25"	3.0" TO L

① Lowest socket position.
② Highest socket position.



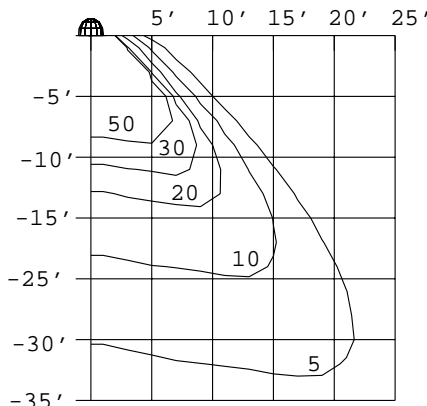
40°C, 55°C Ambient Rated



RECOGNIZED FOR DAMP LOCATIONS
CONSULT FACTORY FOR CUL AVAILABILITY

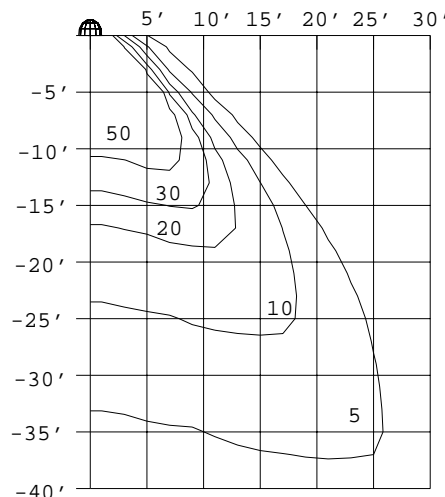
16" Prismatic

Cat #: R-CAD816
Lamp: 250W Coated MH
Lumens: 25,000
Socket Position: 4
Certified Test Report: ITL36501
IES File: ELS425FM.IES
Spacing Criteria: 2.2



22" Prismatic

Cat #: R-CAD822
Lamp: 400W Coated MH
Lumens: 36,000
Socket Position: 5
Certified Test Report: ITL37107
IES File: ELM440FM.IES
Spacing Criteria: 2.0



Retrofit

The R-CAD™ is designed to upgrade all mogul based high bay fixtures, especially those currently using metal reflectors. Perfect for retail stores, gymnasiums, distribution centers, manufacturing and aiseways, the R-CAD™ delivers 20% higher light levels with a smooth and even light distribution.

Optics — 16", 22" & 25"

The socket position is fully adjustable using the patented Twist-N-Lock™ system to allow a choice of light distribution patterns or as a non-adjustable (NA). With its 15%-20% upright capability, the visual brightness appearance of most areas is greatly increased and shadows practically disappear.

Mounting

The patented C40 screw-in adaptor makes retrofitting a snap. No mounting hardware is required. Simply remove the existing reflector and screw-in the R-CAD™ to the mogul based socket.

C41 Socket Adaptor

Spartan's patented C41 adaptor restricts existing fixtures to operate with open rated lamps only. This feature eliminates the danger associated with improper lamp usage or violent end of life lamp failure risks.

Refractor

The clear acrylic prismatic refractor provides over 90% efficiency with approximately 15%-20% upright. Flat and Conical drop type lens enclosures are available. The 822 & 825 R-CAD™ retrofit refractors are available with a totally enclosed option.

Labels

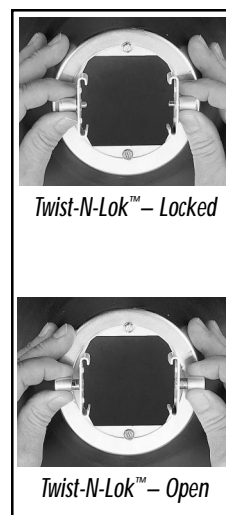
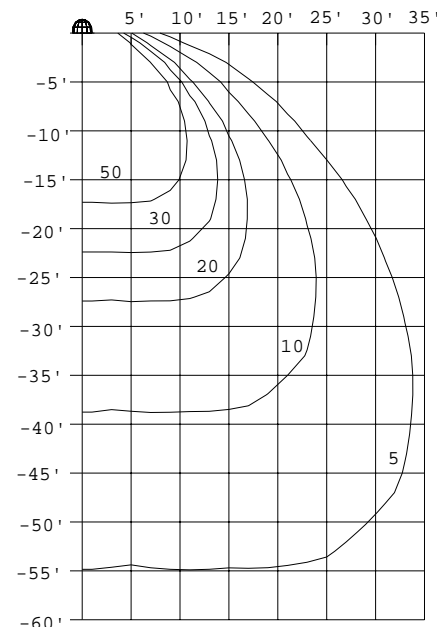
The R-CAD™ is UL listed (socket support bracket must be installed).

Warranty

The R-CAD™ Series sold by C.E.W. Lighting, Inc., unless otherwise specified, will be warranted to be free of defects in materials and workmanship under normal use and service for a period of up to five (5) years from date of shipment. If found to be defective by us, we will replace the non-performing parts or goods.

25" Prismatic

Cat #: R-CAD825
Lamp: 1000W Coated MH
Lumens: 107,000
Socket Position: 3
Certified Test Report: ITL41525
IES File: ELL0499F.IES
Spacing Criteria: 1.7



To build catalog numbers refer to inside front cover

R-CAD™ 816, 822 & 825 Series 16", 22" & 25" Prismatic Refractor

R-CAD™ 816, 822 & 825 Series Order Information

Refractor Size	Lamp Wattages Operate With	Catalog Number	Lamp NOT Included
16"	175-400W*+	RCAD816-(a) w/adjustable bracket	
	175-400W*+	RCAD816NA-(a) without adjustable bracket	
22"	250-400W*	RCAD822-(a) w/adjustable bracket	
	250-400W*	RCAD822NA-(a) without adjustable bracket	
25"	250-1000W*▲	RCAD825-(a) w/adjustable bracket	
	250-1000W*▲	RCAD825NA-(a) without adjustable bracket	

Option:	Description	Catalog Number
	C41 Adaptor for Restricted Lamps	V
	Enclosed & Dust Tight (22" & 25" Only 400W Max)	G

Accessories	Description	Catalog Number
16" Accessories		
	16" wrap-around wire guard assembly	816WG-R
	Flat acrylic lens for 816 with ring (250 watt maximum)	816FLA
	Drop lens with ring (250 watt maximum)	816DLA
	Conical lens with ring (250 watt maximum)	816CLA
22" Accessories		
	22" Wire guard, with relamping door	822WG
	Flat acrylic for 822 with ring (400 watt maximum)	822FLA-HR
	Drop lens for 822 with ring (400 watt maximum)	822DLA-HR
	Conical lens with ring (400 watt maximum)	822CLA-HR
25" Accessories		
	Inverted Conical lens with ring (400 watt maximum)	825S-CLA
	Aislelighter Lens with ring (RCAD825 up to 400W only)	825A-CLA

Coated Lamps Recommended; Pulse Start Open Rated Lamps (V-Option) are Available – LAMP NOT INCLUDED

* Enclosed Rated Lamps require a bottom lens

+ Do Not Enclosed Over 250W

▲ Do Not Enclosed Over 400W, 1000W Open Bottom Only & 25°C Ambient Maximum

Refer to pg. 108 for Ambient Temp Rating



22" Shown

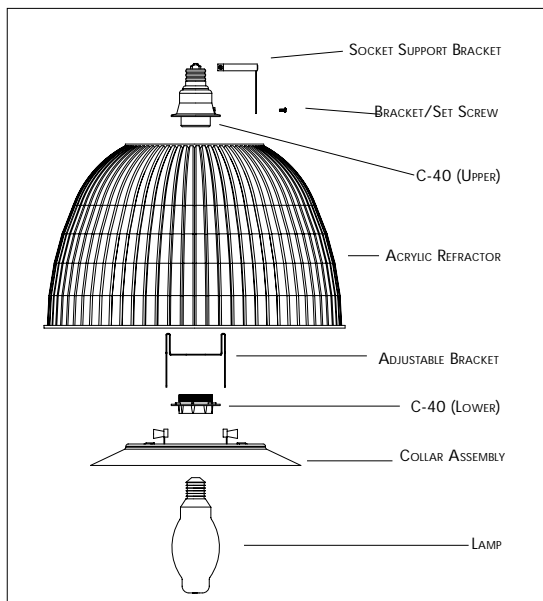
Lenses



Drop



Conical



Patented C41 Converter (V Option)

