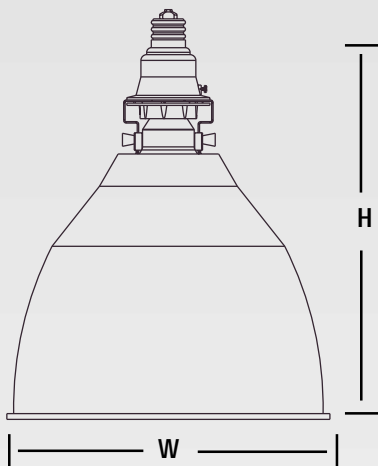


R-CAD™ EB Series

EB14, EB16 & EB22

Spun Aluminum Reflectors

Dimensions	Reflector Height	Reflector Width	Approx. Ship Wt.
R-CAD EB14	17.25-18.25"	14"	2 LBS.
R-CAD EB16	17.55-18.55"	16"	2 LBS.
R-CAD EB22	19.5-20.5"	22"	2 LBS.



Retrofit

The R-CAD™ EB14, EB16, & EB22 are designed to increase existing light levels by 20%-25% by replacing the deteriorated reflectors of existing fixtures with an aluminum reflector that produces a smooth, even beam pattern with an 80% efficiency rating. Perfect for retail stores, gymnasiums, manufacturing and warehouse areas, the R-CAD™ is an effective and low cost lighting upgrade.

Optics — 14", 16" & 22"

The optics are available either adjustable using the 3 position Twist-N-Lok™ System or the non-adjustable (NA). The R-CAD™ delivers light over a wide area with minimized fixture visibility.

Mounting

No mounting hardware is required. The compact sizes of the R-CAD™ EB14, EB16, & EB22 allows installation in most cases without the necessity of removing the existing reflector. If necessary, simply remove the existing reflector and screw the R-CAD™ into the mogul base socket.

C41 Socket Adaptor

A standard socket accepts both open and closed rated lamps. Spartan's patented C41 adaptor restricts existing fixtures to operate with open rated lamps only. This feature eliminates the danger associated with improper lamp usage or violent end of life lamp failure risks.

Reflector

The R-CAD™ EB Series is a spun aluminum reflector with a glass lens option.

Labels

The R-CAD™ is UL listed (socket support bracket must be installed).

Warranty

The R-CAD™ EB Series sold by C.E.W. Lighting, Inc., unless otherwise specified, will be warranted to be free of defects in materials and workmanship under normal use and service for a period of five (5) years from date of shipment. If found to be defective by us, we will replace the non-performing parts or goods.



55°C, 65°C Ambient Rated

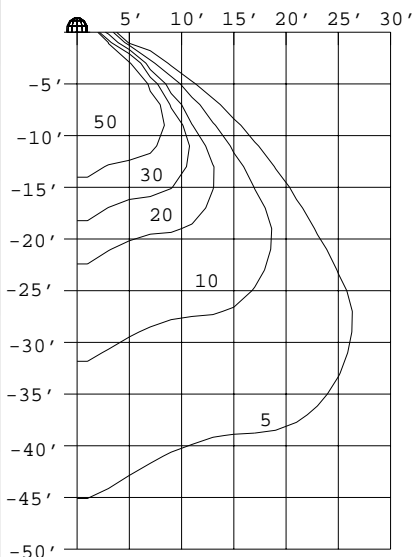


RECOGNIZED FOR DAMP LOCATIONS
CONSULT FACTORY FOR CUL AVAILABILITY

I.E.S. photometrics available by e-mail or on disk

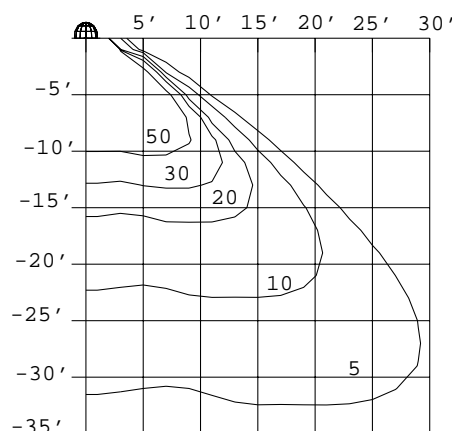
14" Reflector Spun Aluminum

Cat #: RCADEB14
Lamp: 400W Clear MH
Lumens: 38,000
Socket Position: 5
Certified Test Report: ITL44732
IES File: EBM740M.IES
Spacing Criteria: 1.6



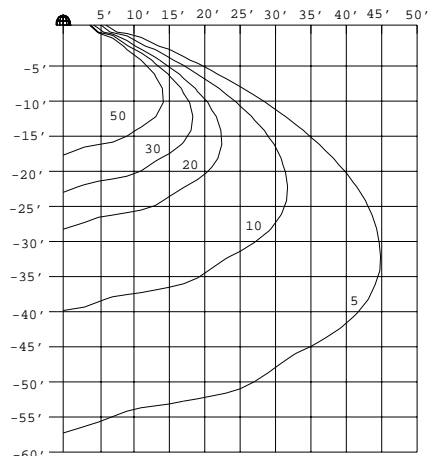
16" Reflector Spun Aluminum

Cat #: RCADEB16
Lamp: 400W Clear MH
Lumens: 38,000
Socket Position: 4
Certified Test Report: ITL04142
IES File: EBR0440M.IES
Spacing Criteria: 2.5



22" Reflector Spun Aluminum

Cat #: RCADEB22
Lamp: 1000W Clear MH
Lumens: 110,000
Socket Position: 3
Certified Test Report: ITL45159
IES File: EBL499M.IES
Spacing Criteria: 1.9





To build catalog numbers refer to inside front cover

R-CAD™ EB Series Order Information

Reflector Size	Wattage Lamp	Catalog Number
14"	175-400W*	RCAD EB14-(a)
	175-400W*	RCAD EB14NA-(a)
16"	175-450W*	RCAD EB16-(a)
	175-450W*	RCAD EB16NA-(a)
22"	400-1000W*	RCAD EB22-(a)
	400-1000W*	RCAD EB22NA-(a)

Option:	Catalog Number
Description	
C41 Adaptor for Restricted Lamps	V
Totally Enclosed & Dust Tight (16" & 22" Only)	G

Accessories:	Catalog Number
Description	
14"	
Wire Guard for RCAD EB14	EB14G
Glass Lens for RCAD EB14	EB14LA
16"	
Wire Guard for RCAD EB16	EB16WG
Glass Lens for RCAD EB16	EB16LA
22"	
Wire Guard for RCAD EB22	EB22DG
Glass Lens for RCAD EB22	EB22LA

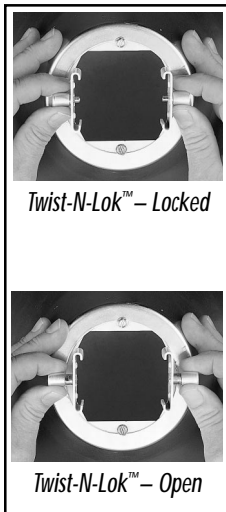
*Enclosed Rated Lamps Require Bottom Lens

**R-CAD™ EB Series
EB14, EB16 & EB22
Spun Aluminum Reflectors**

Lamp NOT Included



RCAD EB14 ADJUSTABLE



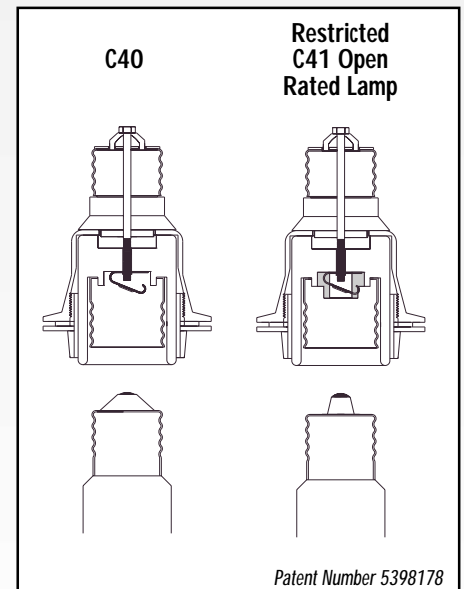
Twist-N-Lok™ – Locked

Twist-N-Lok™ – Open



Adjustable Bracket

Patented C41 Convertor (V Option)



Patent Number 5398178