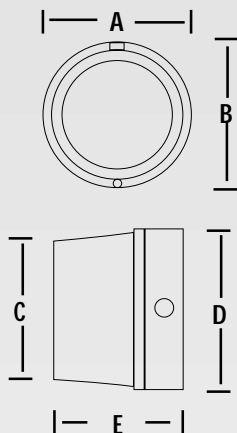


# GRS & GRM Series – 11" & 15" Round/HID Canopy Lighter



## Dimensions

	A	B	C	D	E	Approx. Ship Wt.
GRS Series	11"	11"	9.5"	11"	7.375"	14 LBS.
GRM Series	15"	15"	13.06"	15"	8"	16 LBS.



Spreading illumination efficiently at low to medium mounting heights (8-15'), the G Series Garage Lighter's bronze, round design blends easily into most architectural elements. The fixtures are made of heavy gauge steel and finished with a bronze five-stage powder coat finish.

### Optics

The multi-patterned injection molded polycarbonate refractor contains ultra violet inhibitors that minimize discoloration. Tamper proof screws available.

### Labels

The GRS & GRM fixtures are UL listed for wet locations when ceiling mounted and damp locations when wall mounted.

### Lamps

Low wattage medium base metal halide lamps 50-70W on the GRS Fixture and 50-150W on the GRM Fixture. Medium base high pressure sodium lamps (35-70W/GRS and 35-150W/GRM) can be utilized as well. The lamp is mounted horizontally. Twin fluorescent lamps are also available, 9W for the GRS and 13W for the GRM.

### Ballast

The ballast is a high reactance, high power factor design, available in multi-tap (120/208/240/277V) for metal halide and high pressure sodium. The 70W HPS is the only type available in 480V for the GRS. 120V NPF ballasts are an option for HPS only. A high power factor correcting capacitor is also available as option HPF. The fluorescent utilizes a 120V ballast only.

### Mounting

Primarily utilized in ceiling mounted applications requiring a UL wet label certification, the G Series fixtures can also be wall mounted with a damp location UL certification. 1/2" knock out near center of back housing as well as (4) 1/2" knock outs evenly spaced around side walls provide conduit access for wiring.

### Housing

The ballast housing is deep drawn steel with a 5 stage bronze powder coat finish. The neoprene gasket seals out moisture, dust and insects.

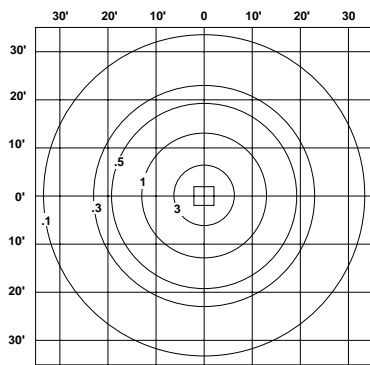
### Warranty

The GRS & GRM Garage Lighters sold by C.E.W. Lighting, Inc., unless otherwise specified, will be warranted to be free of defects in materials and workmanship under normal use and service for a period of two (2) years from date of shipment. If found to be defective by us, we will replace the non-performing components.

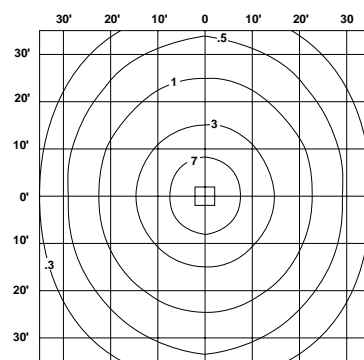


LISTED FOR DAMP & WET LOCATIONS  
CONSULT FACTORY FOR CUL AVAILABILITY

I.E.S. photometrics available by e-mail or on disk



50W HPS GRS Series at 8' mounting height.



150W HPS GRM Series at 15' mounting height.

### 11" ROUND PRISMATIC PHOTOMETRIC DATA

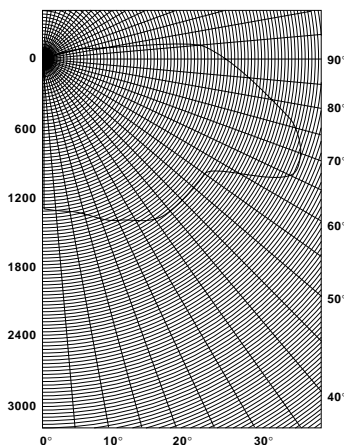
Curve #: GRS505.IES

Lamp: High Pressure Sodium

Wattage: 50W

Lumens: 4,000

Lens: Polycarbonate



### 15" ROUND MOULDED PHOTOMETRIC DATA

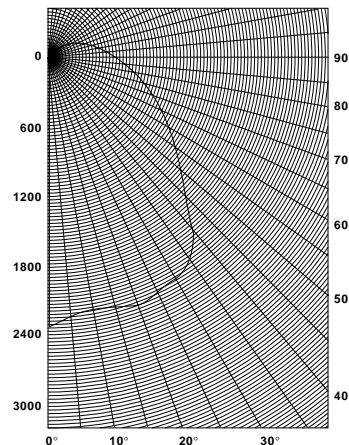
Curve #: GRM515.IES

Lamp: High Pressure Sodium

Wattage: 150W

Lumens: 16,000

Lens: Polycarbonate





# GRS & GRM Series – 11" & 15" Round/HID Canopy Lighter

Wattage Range:  
GRS 35-70W  
GRM 35-150W

To build catalog numbers refer to inside front cover

## GRS Series Order Information

Housing Size (sq.)	Wattage Lamp	Catalog Number	
		Wall Mount	Ceiling Mount
LESS 11"	50W MH/PS	GRS0805-M(b)	GRS3805-M(b)
	70W MH/PS	GRS0807-M(b)	GRS3807-M(b)
	35W HPS	GRS0503-1(b) NPF	GRS3503-1(b) NPF
	50W HPS	GRS0505-1(b) NPF	GRS3505-1(b) NPF
	70W HPS	GRS0507-1(b) NPF	GRS3507-1(b) NPF
	2-9W	GRS0329-1	GRS3329-1

(a) Voltage Suffix Key: Indicate voltage in space (a)

Description	120 Volt	480 Volt	Multi-tap
	1	5	M
	HPS only (NPF)	70W HPS only	tapped @ 277V

(b) Options: Indicate options in space (b) (Factory Installed)

Description	SUFFIX (b)
High Power Factor (HPS only)	HPF
White Housing	WT

Accessories: (Field Installed)

Description	Catalog Number
Tamperproof Screws	GRS-TS
Tamperproof Screwdriver & Screws	GRS-TSD

## GRM Series Order Information

Housing Size (sq.)	Wattage Lamp	Catalog Number	
		Wall Mount	Ceiling Mount
LESS 15"	50W MH/PS	GRM0805-M(b)	GRM3805-M(b)
	70W MH/PS	GRM0807-M(b)	GRM3807-M(b)
	100W MH/PS	GRM0810-M(b)	GRM3810-M(b)
	150W MH/PS	GRM0815-M(b)	GRM3815-M(b)
	35W HPS	GRM0503-1(b) NPF	GRM3503-1(b) NPF
	50W HPS	GRM0505-1(b) NPF	GRM3505-1(b) NPF
70W HPS	GRM0507-1(b) NPF	GRM3507-1(b) NPF	
100W HPS	GRM0510-1(b) NPF	GRM3510-1(b) NPF	
150W HPS	GRM0515-1(b) NPF	GRM3515-1(b) NPF	
2-9W	GRM0329-1	GRM3329-1	

(a) Voltage Suffix Key: Indicate voltage in space (a)

Description	120 Volt	480 Volt	Multi-tap
	1	5	M
	35-150 HPS only (NPF)	70-100W HPS only	tapped @ 277V

(b) Options: Indicate options in space (b) (Factory Installed)

Description	SUFFIX (b)
High Power Factor (HPS only)	HPF
White Housing	WT

Accessories: (Field Installed)

Description	Catalog Number
Tamperproof Screws	GRM-TS
Tamperproof Screwdriver & Screws	GRM-TSD



Lamp Included

## Mountings



Ceiling



Wall