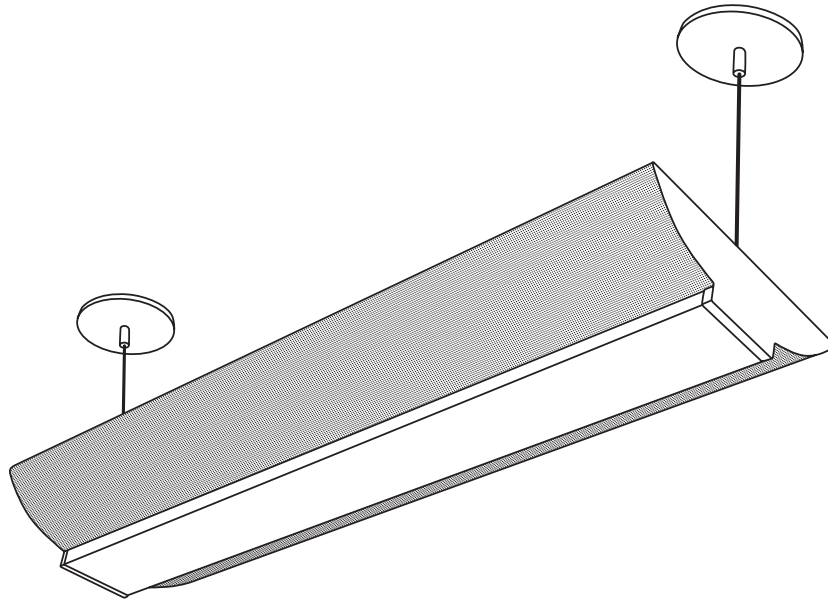


CATALOG NUMBER	TYPE

Direct/Indirect

LDI

4', 8' Tandem



Housing: Die-formed heavy gauge steel with high-gloss baked white enamel finish (minimum reflectance 86%) over rust inhibiting phosphate coat. Continuous row end plates designed for easy linear mounting. Individually mounted units supplied with white steel end plates.

Shielding: Perforated housing with opaline acrylic overlay allows ambient light distribution.

Electrical: Fully wired for 120V, 60Hz AC operation, thermally protected, automatic resetting, Class P, sound rated A, high-power factor ballast, unless otherwise specified. Electronic T8 shall be instant start, <20% harmonic distortion standard, specify suffix UNV for <10% harmonic distortion. Specify suffix UNV for universal voltage, 120 through 277V, 50/60Hz AC operation, Electronic T8 only. UL and C-UL listed.

Mounting: Pendant mount only, order accessories separately. See page 67 for mounting accessories. Continuous row fixtures include joiner plate to eliminate light leak, order LDIJP and LDIEC separately. Row units available in 4' and 8' increments only. Specify length and number of rows.

Critical Application: SIMKAR strives to offer the most current product designs and value. Consequently, all SIMKAR products are subject to redesign and revision. Critical applications such as size, operating temperature, or sensor operation should be confirmed with the factory.

FEATURES AND BENEFITS

- Perforated reflector ➤ Direct/Indirect illumination for excellent efficiencies and visual comfort probability (VCP)
- One piece housing ➤ No sagging
- Keyhole end plate design ➤ Time saving; easy lift and slide installation
- Continuous row end and joiner plates ➤ Designed for easy linear mounting; eliminates light leak

ORDERING INFORMATION

Example: LDII232B1120V

LDI

SERIES

LDI - Linear direct/indirect*
LDII - Linear direct/indirect individual with 2 end caps

LAMPS

232 - (2) 32W 48" T8
Tandem:
2232 - (4) 32W 48" T8

B11

BALLAST

B11 - Electronic T8
Consult factory for twin-tube or T5

VOLTAGE

120V
277V
UNV - 120-277V

*LDIEC - Linear Direct/Indirect End Cap, order 1 pair for each row.

*LDIJP - Linear Direct/Indirect Joiner Plate, order one less than number of fixtures.

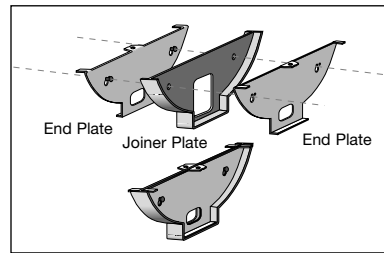
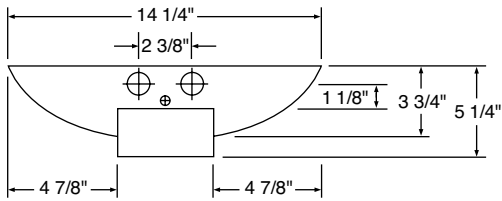
For additional information, see chart on pages 68-69.

PHOTOMETRIC DATA, 2-32W 4' Direct/Indirect Model

CANDLEPOWER				LIGHT GUIDE (T8 LAMPS AND ELECTRONIC BALLAST)				COEFFICIENT OF UTILIZATION									
Angle	0	45	90	Area/fixture in sq.ft./lg. room, good conditions - 8' to 10' ceilings				RC	80			70			50		
				Footcandles				RW	70	50	30	70	50	30	50	30	30
0	102	102	102					RCR									
5	103	101	99					1	78	74	71	67	64	62	46	44	
15	97	98	99	35	2-32W			2	71	65	60	61	56	52	40	37	
25	90	96	98	50				3	65	57	51	56	49	44	36	32	
35	78	87	96	75				4	59	50	43	51	43	38	31	28	
45	63	77	95	100				5	54	44	38	46	38	33	28	24	
55	44	66	89	AVERAGE LUMINANCE CD/SQ.M				TYPICAL V.C.P.s				COEFFICIENT OF UTILIZATION					
65	23	52	86	Angle	0	45	90	Room Size	Mounting Height			Zone					
75	8	39	71						Lengthwise Crosswise			Lumens	%Lamp	%Fixture			
85	0	20	45	45	294	489	444	30x30	8.5	10	8.5	10	0-30	81	1.4	1.6	
90	3	17	39	55	253	454	513	40x40	99	99	97	97	0-40	136	2.4	2.7	
				65	180	404	553	60x30	99	99	97	97	0-60	255	4.5	5.0	
				75	102	361	519	60x60	98	98	93	93	0-90	372	6.5	7.4	
				85	0	237	396	100x100	98	98	91	91					

Lamps = (2) F32 T8 @ 2850 lumens ea. Input Watts = 59.5 LER = 79.4 Test #05340 Ballast = Electronic 120V Ballast Factor = 88% S/MH: 0° = 1.2; 90° = 1.4
 Comparative yearly lighting energy cost per 1000 lumens = \$3.02 based on 3000 hrs. and \$.08 per KWH

DRAWINGS AND DIMENSIONS

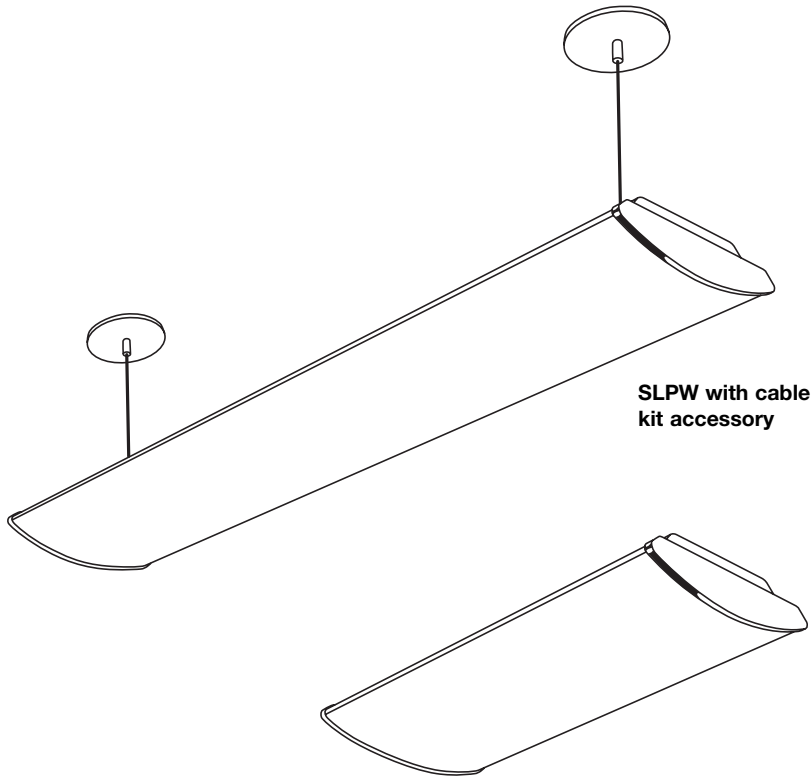


Linear Row Mounting

CATALOG NUMBER	TYPE

Euro Style Low Profile SLPM, SLPW

2', 4'



Housing: Die-formed heavy gauge steel with high-gloss baked white enamel finish (minimum reflectance 86%) over rust inhibiting phosphate coat. Metal ends are hand finished to a stainless steel look (M) or post painted white (W). Inside is grooved to accept acrylic lens and avoid light loss.

Shielding: Lift and shift smooth milk white formed acrylic.

Electrical: Fully wired for 120V, 60Hz AC operation, thermally protected, automatic resetting, Class P, sound rated A, high-power factor ballast, unless otherwise specified. Electronic T8 shall be instant start, <20% harmonic distortion standard, specify suffix UNV for <10% harmonic distortion. Specify suffix UNV for universal voltage, 120 through 277V, 50/60Hz AC operation, Electronic T8 only. UL and C-UL listed.

Mounting: Flush mounted or pendant hung (44" mounting center). Individual mounting only. See page 67 for mounting accessories.

Critical Application: SIMKAR strives to offer the most current product designs and value. Consequently, all SIMKAR products are subject to redesign and revision. Critical applications such as size, operating temperature, or sensor operation should be confirmed with the factory.

FEATURES AND BENEFITS

- Choice of two decorative metal ends ➤ To complement modern appliances or blend into a white ceiling
- Lift and Shift diffuser ➤ Easy relamping and maintenance without tools
- Surface or pendant mount ➤ Flexible mounting options, ideal for center ceiling mount or pendant over kitchen island

ORDERING INFORMATION

Example: SLPM232B11120V

S LP

DIFFUSER

LP - Low profile; milk white acrylic

ENDS

M - Brushed metal
W - White

LAMPS

217 - (2) 17W 24" T8*
232 - (2) 32W 48" T8

B11

BALLAST

B11 - Electronic T8

VOLTAGE

120V
277V
UNV - 120-277V

*Minimums may apply, consult factory

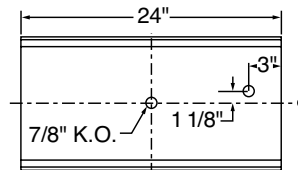
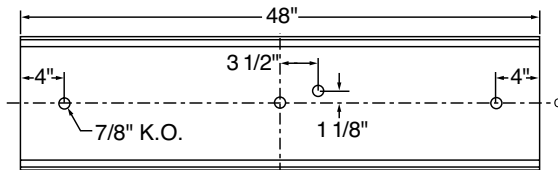
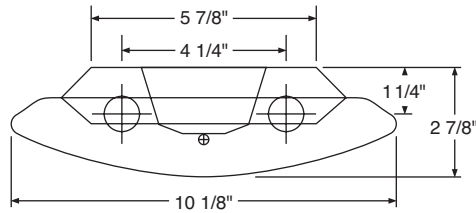
For additional information, see chart on pages 68-69.

PHOTOMETRIC DATA, 2-32W 4' Model

CANDLEPOWER				LIGHT GUIDE (T8 LAMPS AND ELECTRONIC BALLAST)				COEFFICIENT OF UTILIZATION									
Angle	0	45	90	Area/fixture in sq.ft./lg. room, good conditions - 8' to 10' ceilings				RC	80			70			50		
				Footcandles	2-32W			RW	70	50	30	70	50	30	50	30	RCR
0	1138	1138	1138					1	72	69	66	70	67	64	63	60	
5	1130	1136	1134	35	91.5			2	66	60	55	63	58	54	55	51	
15	1096	1098	1095	50	64			3	60	53	48	58	51	46	48	44	
25	1020	1025	1025	75	42.7			4	55	47	41	53	46	40	43	38	
35	913	919	922	100	32.0			5	50	41	35	48	40	35	38	33	
45	771	781	784	AVERAGE LUMINANCE CD/SQ.M Angle 0 45 90				TYPICAL V.C.P.s Room Size Mounting Height Lengthwise Crosswise				COEFFICIENT OF UTILIZATION Zone Lumens %Lamp %Fixture					
55	606	619	627													45	3459
65	415	440	463	55	3352	4897	3468	40x40	47	51	43	48	0-40	1463	25.7	37.8	
75	212	271	318	65	3115	4132	3476	60x30	45	47	40	43	0-60	2617	45.9	67.6	
85	36	145	206	75	2599	3252	3150	60x60	49	52	47	51	0-90	3486	61.2	90.1	
90	0	102	159	85	1310	2517	2719	100x100	44	45	37	40					

Lamps = F32 T8 @ 2850 lumens ea. Input Watts = 56.4 LER = 64.2 Test #05266 Ballast = Electronic Ballast Factor = 93.6% S/MH: 0° = 1.3; 90° = 1.3
 Comparative yearly lighting energy cost per 1000 lumens = \$3.74 based on 3000 hrs. and \$.08 per KWH

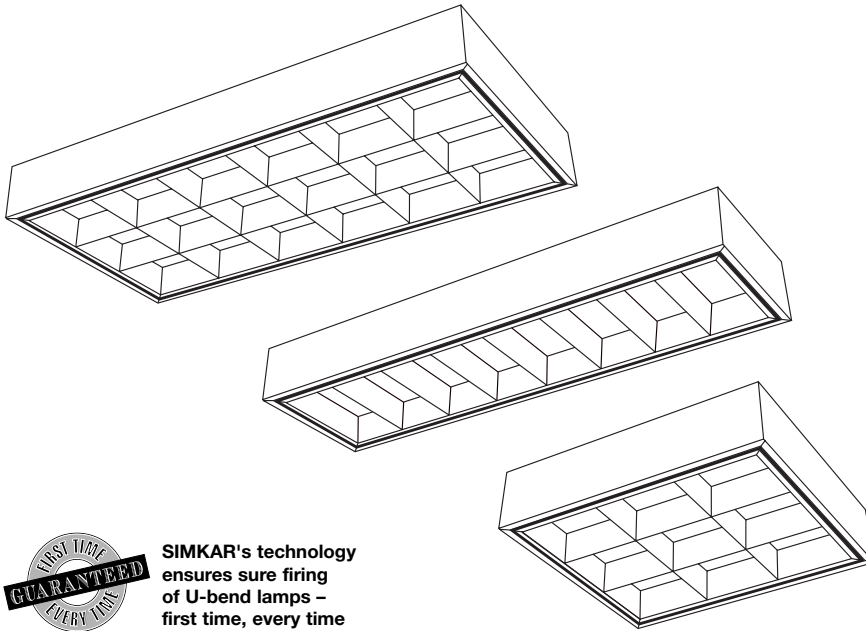
DRAWINGS AND DIMENSIONS



Surface Parabolic SEP

1' x 4', 2' x 2', 2' x 4'

CATALOG NUMBER	TYPE



SIMKAR's technology ensures sure firing of U-bend lamps - first time, every time

Housing: Durable high gloss powder coat post paint finish (90% reflectance) over rust inhibiting phosphate coat. Housing also available in wood tones. Specify oak or walnut. Black reveal for floating appearance. Hinged louver door is held securely by cam latches and "T" hinges. Knockouts provided.

Shielding: Uniform low brightness in 60° - 90° zone achieved with 3" deep low iridescence, anodized semi-specular aluminum parabolic louver.

Electrical: Fully wired for 120V, 60Hz AC operation, thermally protected, automatic resetting, Class P, sound rated A, high-power factor ballast, unless otherwise specified. Electronic T8 shall be instant start, <20% harmonic distortion standard, specify suffix UNV for <10% harmonic distortion. Specify suffix UNV for universal voltage, 120 through 277V, 50/60Hz AC operation, Electronic T8 only. End of life protection is standard on twin tube fixtures. UL and C-UL listed.

Mounting: Surface or pendant mount, individual or continuous row. Use four stems per 2x2 or 2x4, two per 1x4 unit. See page 67 for mounting accessories.

Critical Application: SIMKAR strives to offer the most current product designs and value. Consequently, all SIMKAR products are subject to redesign and revision. Critical applications such as size, operating temperature, or sensor operation should be confirmed with the factory.

FEATURES AND BENEFITS

- 3" deep cell parabolic ➤ High efficiency with uniform low brightness in the 60 degree to 90 degree zone
- Protective poly sheet ➤ Keeps louver clean during shipment and installation
- Semi-specular aluminum parabolic standard ➤ Low iridescence
- Post-painted metal parts ➤ Durable, uniform finish; controlled reflectivity eliminates hot spots
- Fully assembled ➤ Ready to install

ORDERING INFORMATION

Example: SEP24433218CSRB11120V

S EP

MOUNTING	WOOD	SIZE	LAMPS
S - Surface	O - Oak finish† W - Walnut finish† White standard	124 - 1 x 4 242 - 2 x 2 244 - 2 x 4	232 - (2) 32W 48" T8 232U - (2) 32W U6" T8* 240 - (2) 34 or 40W 48" T12 240TT - (2) 40W 22" TT 240U - (2) 40W U6" T12 332 - (3) 32W 48" T8 332U - (3) 32W U 1 5/8" T8 340 - (3) 34 or 40W 48" T12 340TT - (3) 40W 22" TT 432 - (4) 32W 48" T8 440 - (4) 34 or 40W 48" T12

LOUVER

EP - 3" deep cell, semi-specular

* For 1 5/8" please specify
† Minimums may apply, consult factory

For additional information, see chart on pages 68-69.

C

SPECIAL FEATURE	BALLAST	VOLTAGE
G - Gold louver S - Specular louver W - White louver L - Lamps SR - Silver reflector	B10 - Magnetic TT B11 - Electronic T8 B14 - Electronic TT E1 - Energy Saving Magnetic T12	120V 277V UNV - 120-277V

CELL CONFIGURATION

- 8 - (1 x 4) 1 row of 8
- 9 - (2 x 2) 3 rows of 3
- 12 - (2 x 4) 2 rows of 6
- 18 - (2 x 4) 3 rows of 6
- 32 - (2 x 4) 4 rows of 8

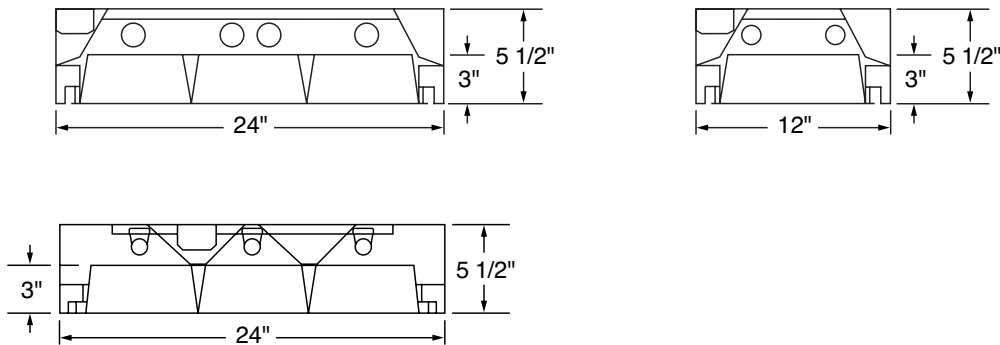
Surface Parabolic 1' x 4', 2' x 2', 2' x 4'

PHOTOMETRIC DATA, 3-32W 2 x 4 Model

CANDLEPOWER				LIGHT GUIDE (T8 LAMPS AND ELECTRONIC BALLAST)				COEFFICIENT OF UTILIZATION														
Angle	0	45	90	Area/fixture in sq.ft./lg. room, good conditions - 8' to 10' ceilings				RC	80			70			50							
				Footcandles	2-"U" 6"	2-32W 1x4	4-32W	RW	70	50	30	70	50	30	50	30	RCR					
0	2284	2284	2284					1	76	74	72	75	72	70	70	68						
5	2271	2285	2305	35	74	77	172	2	71	67	63	69	65	62	63	60						
15	2164	2284	2397	50	52	54	120	3	66	60	56	64	59	55	57	54						
25	1987	2263	2524	75	35	36	80	4	61	54	49	59	53	48	52	47						
35	1730	2218	2754	100	26	27	60	5	56	48	43	55	48	43	46	42						
45	1393	1985	1274	AVERAGE LUMINANCE CD/SQ.M				TYPICAL V.C.P.s				LIGHT DISTRIBUTION										
55	964	894	1200	Angle	0	45	90	Room Size	Mounting Height													
65	328	426	363	45	3270	4660	2991	30x30	8.5	10	8.5	10	7	48	39	34	47	39	33	38	33	
75	32	40	38	55	2790	2587	3473	40x40	84	80	84	79	8	44	35	29	43	35	29	34	29	
85	5	6	4	65	1288	1673	1426	60x30	87	84	87	83	9	40	31	26	39	31	26	30	25	
90	1	0	1	75	205	257	244	60x60	89	86	88	86	10	37	28	23	36	28	23	27	23	
				85	95	114	76	100x100	89	87	88	86										

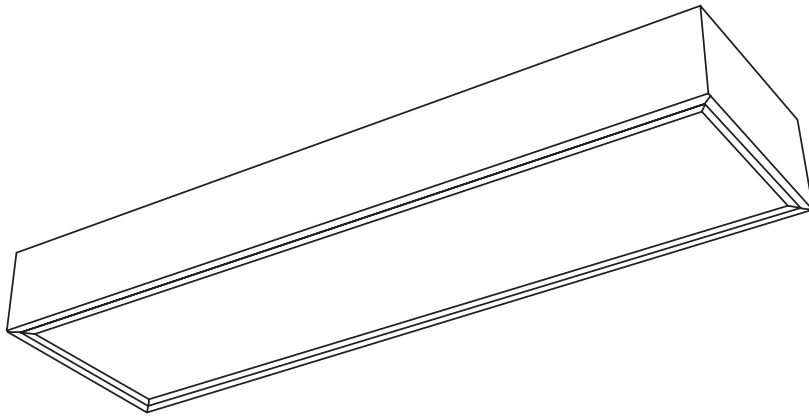
Lamps = (3) F32 T8 @ 2850 lumens ea. Input Watts = 109 LER = 47.3 Test #01364 Ballast = (2) Electronic 120V Ballast Factor = .94 S/MH: 0° = 1.2; 90° = 1.6
Comparative yearly lighting energy cost per 1000 lumens = \$5.07 based on 3000 hrs. and \$.08 per KWH

DRAWINGS AND DIMENSIONS



CATALOG NUMBER	TYPE

Surface Box
SY, SA, SB, SJ, SK, SL,
SP, SQ, SS, SU, SW
 1' x 4'



Housing: Durable high gloss powder coat post paint finish (90% reflectance) over rust inhibiting phosphate coat. Optional oak or walnut stained wood trim. Flush white steel door can be hinged from either side. Knockouts provided.

Shielding: A variety of acrylic lens and louvers available. Specular silver or gold finishes available.

Electrical: Fully wired for 120V, 60Hz AC operation, thermally protected, automatic resetting, Class P, sound rated A, high-power factor ballast, unless otherwise specified. Electronic T8 shall be instant start, <20% harmonic distortion standard, specify suffix UNV for <10% harmonic distortion. Specify suffix UNV for universal voltage, 120 through 277V, 50/60Hz AC operation, Electronic T8 only. UL and C-UL listed.

Mounting: Surface or stem mount. Use two stems per 1x4 unit. See page 67 for mounting accessories.

Critical Application: SIMKAR strives to offer the most current product designs and value. Consequently, all SIMKAR products are subject to redesign and revision. Critical applications such as size, operating temperature, or sensor operation should be confirmed with the factory.

FEATURES AND BENEFITS	
Swing action cam latches	➤ Easy access with no tools needed
Post-painted metal parts	➤ Durable, uniform finish; controlled reflectivity eliminates hot spots
Light seal standard	➤ Eliminates light leak
Optional real wood trim	➤ Coordinate or complement décor
Fully assembled	➤ Ready to install

ORDERING INFORMATION						Example: SY124232B11SR120V
S		124				
WOOD TRIM	LOUVER / LENS	SIZE	LAMPS	BALLAST	VOLTAGE	
O - Oak finish† W - Walnut finish†	A - 1/2" x 1/2" x 1/2" cell* B - .125 polycarbonate J - 3/4" x 3/4" x 1/2" double wedge cell* K - .125 acrylic prismatic L - 1/2" x 1/2" x 3/8" egg crate, white P - Acrylic drop dish Q - .125 RFI #12 S - 1 1/2" x 1 1/2" x 1" cell* U - .156 prismatic acrylic W - Flat white acrylic Y - A12 prismatic acrylic	124 - 1 x 4	232 - (2) 32W 48" T8 240 - (2) 34 or 40W 48" T12	B11 - Electronic T8 E1 - Energy Saving Magnetic T12	120V 277V UNV - 120-277V	
†Minimums may apply, consult factory						SPECIAL FEATURE
						G - Specular gold louver S - Specular silver louver SR - Silver reflector, see page 67
						*Specify finish in Special Feature
						For additional information, see chart on pages 68-69.

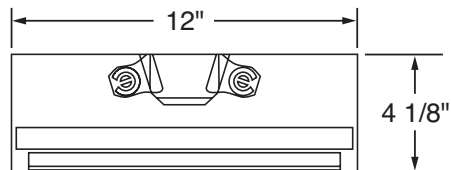
Surface Box 1' x 4'

PHOTOMETRIC DATA, SY 2-32W 1 x 4 Model

CANDLEPOWER				LIGHT GUIDE (T8 LAMPS AND ELECTRONIC BALLAST)				COEFFICIENT OF UTILIZATION												
Angle	0	45	90	Area/fixture in sq.ft./lg. room, good conditions - 8' to 10' ceilings				RC	80			70			50					
				Footcandles	2x2 2-"U" 6"		1x4 2-32W	2x4 4-32W	RW	70	50	30	70	50	30	50	30	RCR		
0.0	1161	1158	1158						1	50	48	46	48	47	45	45	43			
5.0	1148	1157	1155	35	79	72	149		2	46	42	40	44	41	39	40	38			
12.5	1122	1136	1141	50	56	54	112		3	42	38	34	41	37	34	36	33			
25.0	1005	1029	1031	75	37	34	70		4	39	34	30	38	33	30	32	29			
35.0	845	846	835	100	28	27	56		5	36	31	27	35	30	27	29	26			
45.0	610	595	582	AVERAGE LUMINANCE CD/SQ.M				LIGHT DISTRIBUTION				6	33	28	24	33	27	24	27	24
55.0	374	352	352	Angle	0	45	90	Zone	Lumens	%Lamp	%Fixture	7	31	25	22	30	25	22	24	21
65.0	209	158	196	45	2321	2264	2215	0-30	896	15.7	35.1	8	29	23	20	28	23	20	22	19
75.0	133	93	121	55	1755	1651	1651	0-40	1427	25.0	55.8	9	27	22	18	27	21	18	21	18
85.0	48	38	38	65	1331	1006	1248	0-60	2210	38.8	86.5	10	26	20	17	25	20	16	19	16
90.0	7	5	4	75	1383	967	1258	0-90	2556	44.8	100.0									
				85	1482	1173	1173													

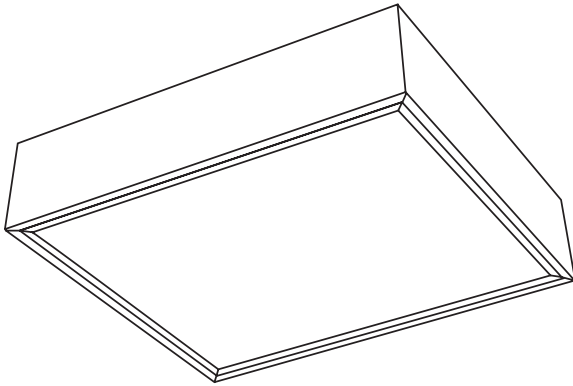
Lamps = (2) F32T8 @ 2850 lumens ea. Input watts = 56.0 LER = 45.6 Test #SK02880 Ballast = Electronic 120V Ballast factor: 1.00 S/MH: 0 = 1.2, 90 = 1.2
Comparative yearly lighting energy cost per 1000 lumens = \$5.26 based on 3000 hrs. and \$.08 per KWH

DRAWINGS AND DIMENSIONS



CATALOG NUMBER	TYPE

Surface Box
SY, SA, SB, SJ, SK, SL,
SP, SQ, SS, SU, SW
 2' x 2'



SIMKAR's technology ensures sure firing of U-bend lamps – first time, every time

Housing: Durable high gloss powder coat post paint finish (90% reflectance) over rust inhibiting phosphate coat. Specify oak or walnut stained wood trim. Flush white steel door can be hinged from either side. Knockouts provided.

Shielding: A variety of acrylic lens and louvers available. Specular silver or gold finishes available.

Electrical: Fully wired for 120V, 60Hz AC operation, thermally protected, automatic resetting, Class P, sound rated A, high-power factor ballast, unless otherwise specified. Electronic T8 shall be instant start, <20% harmonic distortion standard, specify suffix UNV for <10% harmonic distortion. Specify suffix UNV for universal voltage, 120 through 277V, 50/60Hz AC operation, Electronic T8 only. End of life protection is standard on twin tube fixtures. UL and C-UL listed.

Mounting: Surface or stem mount. Use four stems per 2x2 unit. See page 67 for mounting accessories.

Critical Application: SIMKAR strives to offer the most current product designs and value. Consequently, all SIMKAR products are subject to redesign and revision. Critical applications such as size, operating temperature, or sensor operation should be confirmed with the factory.

FEATURES AND BENEFITS

- | | | |
|--------------------------|---|---|
| Swing action cam latches | ➤ | Easy access with no tools needed |
| Post-painted metal parts | ➤ | Durable, uniform finish; controlled reflectivity eliminates hot spots |
| Light seal standard | ➤ | Eliminates light leak |
| Optional real wood trim | ➤ | Coordinate or complement décor |
| Fully assembled | ➤ | Ready to install |

ORDERING INFORMATION

Example: SY242332UB11S120V

S

242

WOOD TRIM

O - Oak finish†
 W - Walnut finish†

†Minimums may apply, consult factory

LOUVER / LENS

A - 1/2" x 1/2" x 1/2" cell*
 B - .125 polycarbonate
 J - 3/4" x 3/4" x 1/2" double wedge cell*
 K - .125 acrylic prismatic
 L - 1/2" x 1/2" x 3/8" egg crate, white
 P - Acrylic drop dish
 Q - .125 RFI #12
 S - 1 1/2" x 1 1/2" x 1" cell*
 U - .156 prismatic acrylic
 W - Flat white acrylic
 Y - A12 prismatic acrylic

SIZE

242 - 2 x 2

LAMPS

217 - (2) 17W 24" T8
 232U - (2) 32W U6" T8
 240TT - (2) 40W 22" TT
 240U - (2) 40W U6" T12
 317 - (3) 17W 24" T8
 332U - (3) 32W U 1 5/8" T8
 340TT - (3) 40W 22" TT
 417 - (4) 17W 24" T8
 420 - (4) 20W 24" T12

BALLAST

B10 - Magnetic TT
 B11 - Electronic T8
 B14 - Electronic TT
 E1 - Energy Saving Magnetic T12

VOLTAGE

120V
 277V
 UNV - 120-277V

SPECIAL FEATURE

G - Specular gold louver
 S - Specular silver louver
 SR - Silver reflector, see page 67

*Specify finish in Special Feature

For additional information, see chart on pages 68-69.

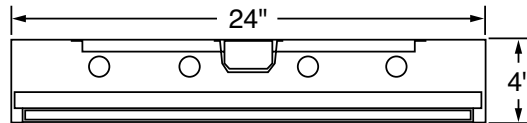
Surface Box 2' x 2'

PHOTOMETRIC DATA, SY 2-32W U 6" 2 x 2 Model

CANDLEPOWER				LIGHT GUIDE (T8 LAMPS AND ELECTRONIC BALLAST)				COEFFICIENT OF UTILIZATION												
Angle	0	45	90	Area/fixture in sq.ft./lg. room, good conditions - 8' to 10' ceilings				RC	80			70			50					
				Footcandles	2x2 2-"U" 6"		1x4 2-32W	2x4 4-32W	RW	70	50	30	70	50	30	50	30	RCR		
0	1222	1222	1222						1	56	54	52	55	53	51	51	49			
5	1217	1216	1219	35	79	72	149		2	52	48	45	51	47	44	45	43			
15	1168	1196	1195	50	56	54	112		3	48	43	39	46	42	38	40	37			
25	1062	1098	1133	75	37	34	70		4	44	38	34	43	38	34	36	33			
35	885	937	998	100	28	27	56		5	41	35	30	40	34	30	33	29			
45	630	398	758	AVERAGE LUMINANCE CD/SQ.M				LIGHT DISTRIBUTION				6	38	31	27	37	31	27	30	26
55	399	435	476	Angle	0	45	90	Zone	Lumens	%Lamp	%Fixture	7	35	29	24	34	28	24	27	24
65	229	197	251	45	3959	4470	4939	0-30	955	17.4	33.3	8	33	26	22	32	26	22	25	22
75	146	113	157	55	3139	3597	4079	0-40	1539	28.0	53.6	9	31	24	20	30	24	20	23	20
85	55	50	63	65	2472	2293	2690	0-60	2451	44.6	85.3	10	29	22	18	28	22	18	22	18
90	8	8	10	75	2158	1765	2564	0-90	2872	52.2	100.0									
				85	2639	2601	3016													

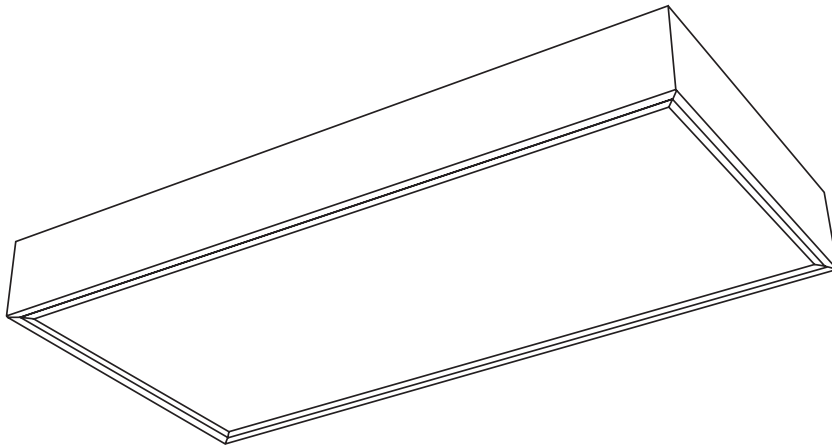
Lamps = (2) F32T8 @ 2750 lumens ea. Input watts = 56.0 LER = 51.3 Test #SK02879 Ballast = Electronic 120V Ballast factor: 1.00 S/MH: 0 = 1.2; 90 = 1.8
Comparative yearly lighting energy cost per 1000 lumens = \$4.68 based on 3000 hrs. and \$.08 per KWH

DRAWINGS AND DIMENSIONS



CATALOG NUMBER	TYPE

Surface Box
SY, SA, SB, SJ, SK, SL,
SP, SQ, SS, SU, SW
 2' x 4', 4' x 4'



Housing: Durable high gloss powder coat post paint finish (90% reflectance) over rust inhibiting phosphate coat. Specify oak or walnut stained wood trim. Flush white steel door can be hinged from either side. Knockouts provided.

Shielding: A variety of acrylic lens and louvers available. Specular silver or gold finishes available.

Electrical: Fully wired for 120V, 60Hz AC operation, thermally protected, automatic resetting, Class P, sound rated A, high-power factor ballast, unless otherwise specified. Electronic T8 shall be instant start, <20% harmonic distortion standard, specify suffix UNV for <10% harmonic distortion. Specify suffix UNV for universal voltage, 120 through 277V, 50/60Hz AC operation, Electronic T8 only. UL and C-UL listed.

Mounting: Surface or stem mount. Use four stems per 2x4 or 4x4 unit. See page 67 for mounting accessories.

Critical Application: SIMKAR strives to offer the most current product designs and value. Consequently, all SIMKAR products are subject to redesign and revision. Critical applications such as size, operating temperature, or sensor operation should be confirmed with the factory.

FEATURES AND BENEFITS

- | | | |
|--------------------------|---|---|
| Swing action cam latches | ➤ | Easy access with no tools needed |
| Post-painted metal parts | ➤ | Durable, uniform finish; controlled reflectivity eliminates hot spots |
| Light seal standard | ➤ | Eliminates light leak |
| Optional real wood trim | ➤ | Coordinate or complement décor |
| Fully assembled | ➤ | Ready to install |

ORDERING INFORMATION

Example: SY244432B11SR120V

S

WOOD TRIM	LOUVER / LENS	SIZE	LAMPS	BALLAST	VOLTAGE	SPECIAL FEATURE
O - Oak finish† W - Walnut finish†	A - 1/2" x 1/2" x 1/2" cell* B - .125 polycarbonate J - 3/4" x 3/4" x 1/2" double wedge cell* K - .125 acrylic prismatic L - 1/2" x 1/2" x 3/8" egg crate, white P - Acrylic drop dish Q - .125 RFI #12 S - 1 1/2" x 1 1/2" x 1" cell* U - .156 prismatic acrylic W - Flat white acrylic Y - A12 prismatic acrylic	244 - 2 x 4 484 - 4 x 4**	232 - (2) 32W 48" T8 240 - (2) 34 or 40W 48" T12 332 - (3) 32W 48" T8 340 - (3) 34 or 40W 48" T12 432 - (4) 32W 48" T8 440 - (4) 34 or 40W 48" T12 632 - (6) 32W 48" T8 832 - (8) 32W 48" T8 840 - (8) 34 or 40W 48" T12	B11 - Electronic T8 E1 - Energy Saving Magnetic T12	120V 277V UNV - 120-277V	G - Specular gold louver S - Specular silver louver SR - Silver reflector, see page 67

Six-lamp 2 x 4 available with side mounted ballast.
6, 8 lamp available on 4 x 4 models.
Minimums apply.

†Specify finish in Special Feature

** Available with (2) 2 x 4 louvers, except SY which is (1) 4 x 4 lens

For additional information, see chart on pages 68-69.

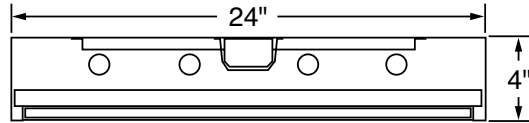
Surface Box 2' x 4', 4' x 4'

PHOTOMETRIC DATA, SY 4-32W 2 x 4 Model

CANDLEPOWER				LIGHT GUIDE (T8 LAMPS AND ELECTRONIC BALLAST)				COEFFICIENT OF UTILIZATION												
Angle	0	45	90	Area/fixture in sq.ft./lg. room, good conditions - 8' to 10' ceilings				RC	80			70			50					
				Footcandles	2x2 2-"U" 6"		1x4 2-32W	2x4 4-32W	RW	70	50	30	70	50	30	50	30	RCR		
0	3290	3290	3290																	
5	3269	3280	3289	35	79	72	149	1	79	76	73	77	75	72	72	70				
15	3156	3211	3259	50	56	54	112	2	73	68	64	71	67	63	64	61				
25	2898	3040	3135	75	37	34	70	3	68	61	56	66	60	55	58	54				
35	2464	2666	2824	100	28	27	56	4	62	55	49	61	54	48	52	47				
45	1801	2024	2185	AVERAGE LUMINANCE CD/SQ.M				LIGHT DISTRIBUTION				5	57	49	43	56	48	43	47	42
55	1166	1309	1406	Angle	0	45	90	Zone	Lumens	%Lamp	%Fixture	6	53	44	38	52	43	38	42	37
65	655	609	712	45	3922	4408	4758	0-30	2618	23.0	32.0	7	49	40	34	48	39	34	38	33
75	393	298	420	55	3130	3514	3775	0-40	4275	37.5	52.3	8	45	36	30	44	35	30	34	29
85	151	132	179	65	2387	2219	2594	0-60	6984	61.3	85.5	9	42	32	26	41	32	26	31	26
90	18	15	23	75	2338	1773	2499	0-90	8173	71.7	100.0	10	39	29	24	38	29	23	28	23
				85	2668	2332	3163													

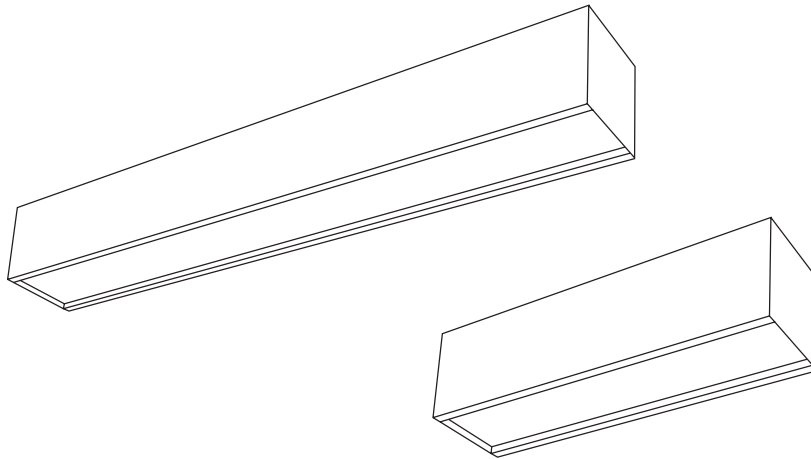
Lamps = (4) F32 T8 @ 2850 lumens ea. Input Watts = 102.2 LER = 64.5 Test #03151 Ballast = Electronic 1/4 120V Ballast Factor = 80.6 S/MH: 0° = 1.2; 90° = 1.3
Comparative yearly lighting energy cost per 1000 lumens = \$3.72 based on 3000 hrs. and \$.08 per KWH

DRAWINGS AND DIMENSIONS



CATALOG NUMBER	TYPE

6" x 6" Surface Box SY66, SE66 2', 4', 8' Tandem



Housing: Durable high gloss powder coat post paint finish (90% reflectance) over rust inhibiting phosphate coat. Knockouts provided.

Shielding: Pattern A-12 prismatic acrylic lens (SY) or semi-specular shallow parabolic (SE).

Electrical: Fully wired for 120V, 60Hz AC operation, thermally protected, automatic resetting, Class P, sound rated A, high-power factor ballast, unless otherwise specified. Electronic T8 shall be instant start, <20% harmonic distortion standard, specify suffix UNV for <10% harmonic distortion. Specify suffix UNV for universal voltage, 120 through 277V, 50/60Hz AC operation, Electronic T8 only. UL and C-UL listed.

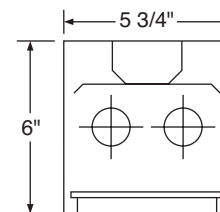
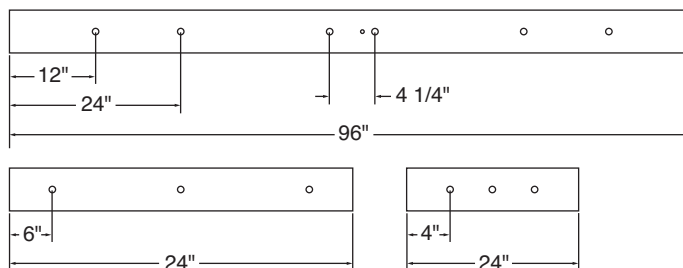
Mounting: Surface or stem mount. Use two stems per 6x6 unit. See page 67 for mounting accessories. For wall mount, see W_66, page 111.

Critical Application: SIMKAR strives to offer the most current product designs and value. Consequently, all SIMKAR products are subject to redesign and revision. Critical applications such as size, operating temperature, or sensor operation should be confirmed with the factory.

FEATURES AND BENEFITS

- | | | |
|--------------------------|---|---|
| Post-painted metal parts | ➤ | Durable, uniform finish; controlled reflectivity eliminates hot spots |
| Light seal standard | ➤ | Eliminates light leak |
| Fully assembled | ➤ | Ready to install |

DRAWINGS AND DIMENSIONS



ORDERING INFORMATION

Example: SY66232B11120V

S

MOUNTING

S - Surface

66

SIZE

66 - 6" x 6"

LOUVER / LENS

E - Shallow parabolic, semi-specular
Y - A12 prismatic acrylic

LAMPS

117 - (1) 17W 24" T8
132 - (1) 32W 48" T8
217 - (2) 17W 24" T8
232 - (2) 32W 48" T8
240 - (2) 34 or 40W 48" T12
Tandem:
2132 - (2) 32W 48" T8
2232 - (4) 32W 48" T8

BALLAST

B4 - Magnetic T8
B11 - Electronic T8
E1 - Energy Saving Magnetic T12

VOLTAGE

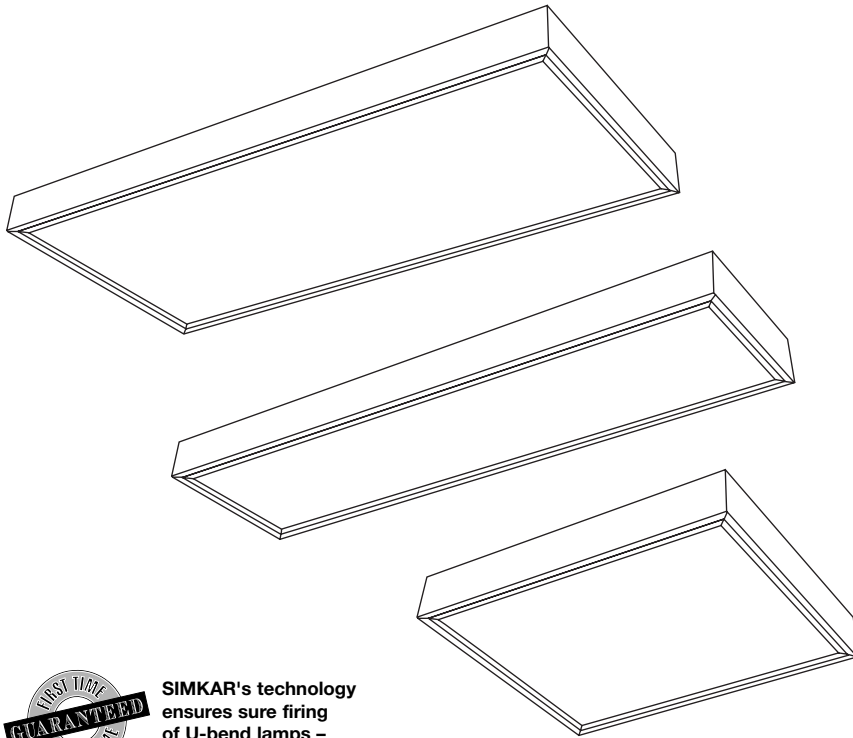
120V
277V
UNV - 120-277V

For additional information, see chart on pages 68-69.

CATALOG NUMBER	TYPE

Low Profile Surface Box SYLP

1' x 4', 2' x 2', 2' x 4'



SIMKAR's technology
ensures sure firing
of U-bend lamps –
first time, every time

Housing: Die-formed heavy gauge steel with durable high gloss powder coat post paint finish (90% reflectance) over rust inhibiting phosphate coat. Flush white steel door, with mitered corners, can be hinged from either side. Knockouts provided.

Shielding: Pattern #12 acrylic prismatic lens or optional clear prismatic acrylic lens (K).

Electrical: Fully wired for 120V, 60Hz AC operation, thermally protected, automatic resetting, Class P, sound rated A, high-power factor ballast, unless otherwise specified. Electronic T8 shall be instant start, <20% harmonic distortion standard, specify suffix UNV for <10% harmonic distortion. Specify suffix UNV for universal voltage, 120 through 277V, 50/60Hz AC operation, Electronic T8 only. UL and C-UL listed, damp location.

Mounting: Surface or stem mount individually or in continuous row. Use four stems per 2x2 or 2x4, two for 1x4 unit. See page 67 for mounting accessories.

Critical Application: SIMKAR strives to offer the most current product designs and value. Consequently, all SIMKAR products are subject to redesign and revision. Critical applications such as size, operating temperature, or sensor operation should be confirmed with the factory.

FEATURES AND BENEFITS

- | | | |
|--------------------------|---|---|
| Low profile | ➤ | Unassuming light source; optimizes T8 lamp/ballast technology |
| Swing action cam latches | ➤ | Easy access with no tools needed |
| Post-painted metal parts | ➤ | Durable, uniform finish; controlled reflectivity eliminates hot spots |
| Surface or pendant mount | ➤ | Flexible mounting options |
| Fully assembled | ➤ | Ready to install |

ORDERING INFORMATION

Example: SYLP244432B11120V

S

SERIES

S - Surface Mounted

LP

SPECIAL FEATURE

LP - Low profile housing

SIZE

124 - 1 x 4
242 - 2 x 2
244 - 2 x 4

LAMPS

232 - (2) 32W 48" T8
232U - (2) 32W U6" T8
332 - (3) 32W 48" T8
417 - (4) 17W 24" T8
432 - (4) 32W 48" T8

B11

BALLAST

B11 - Electronic T8

VOLTAGE

120V
277V
UNV - 120-277V

OPTION

SR - Silver reflector, see page 67

For additional information, see chart on pages 68-69.

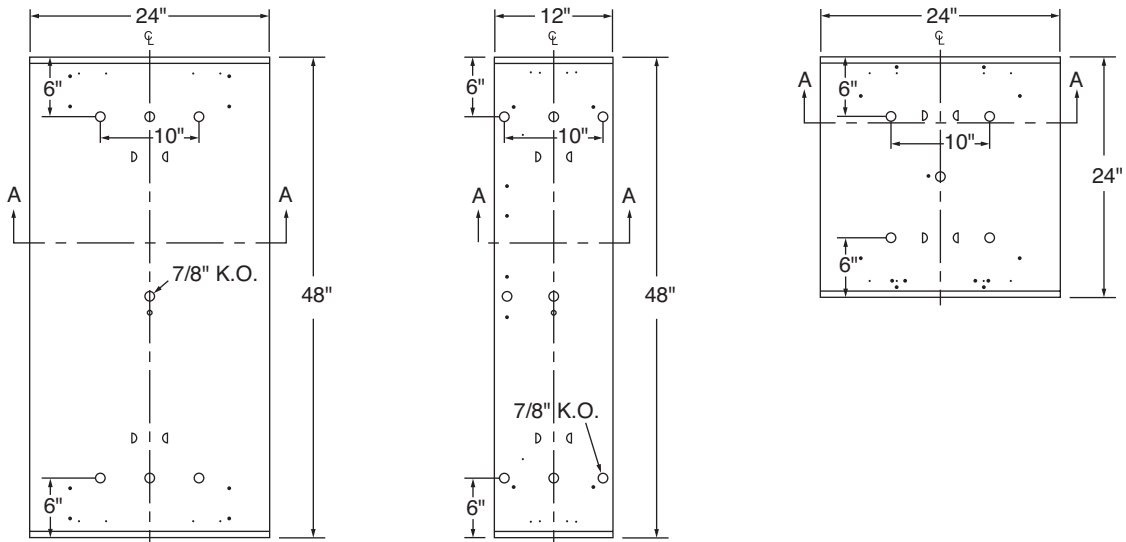
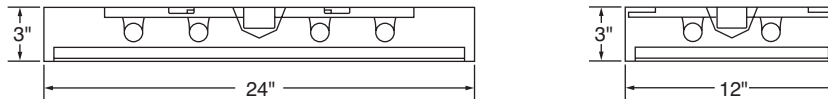
Low Profile Surface Box 1' x 4', 2' x 2', 2' x 4'

PHOTOMETRIC DATA, SY 4-32W 2 x 4 Model

CANDLEPOWER				LIGHT GUIDE (T8 LAMPS AND ELECTRONIC BALLAST)				COEFFICIENT OF UTILIZATION												
Angle	0	45	90	Area/fixture in sq.ft./lg. room, good conditions - 8' to 10' ceilings				RC	80			70			50					
				Footcandles	2x2 2-"U" 6"	1x4 2-32W	2x4 4-32W	RW	70	50	30	70	50	30	50	30	50	30		
0	3233	3233	3233					RCR												
5	3213	3221	3225	35	91	81	193	1	87	83	80	85	82	79	78	76				
15	3105	3134	3176	50	64	57	135	2	80	74	69	78	73	68	70	66				
25	2896	2953	3047	75	42	38	90	3	74	66	60	72	65	60	63	58				
35	2537	2631	2799	100	32	28	67	4	68	59	53	66	58	52	56	51				
45	2012	2133	2334	AVERAGE LUMINANCE CD/SQ.M				LIGHT DISTRIBUTION				5	62	52	46	60	52	45	50	44
55	1355	1428	1593	Angle	0	45	90	Zone	Lumens	%Lamp	%Fixture	6	57	47	40	56	46	40	45	39
65	796	756	814	45	5036	5036	5036	0-30	2609	22.9	29.0	7	53	42	36	51	42	35	41	35
75	406	387	359	55	3680	4326	4807	0-40	4348	38.1	48.3	8	48	3	31	47	37	31	36	31
85	150	154	177	65	2934	3000	3450	0-60	7535	66.1	83.7	9	45	34	27	43	33	27	33	27
90	5	12	20	75	2443	2160	2877	0-90	9004	79.0	100.0	10	41	31	24	40	30	24	30	24
				85	2681	3163	3699													

Lamps = (4) F32T8 @ 2850 lumens ea. LER: 69.5 Input watts = 104.5 Test: LTL #05786 Ballast Factor: 80.6% Ballast - Electronic 120V S/MH: 0° = 1.3; 90° = 1.4
Comparative yearly lighting energy cost per 1000 lumens = \$ 3.45 based on 3000 hours and \$.08 per KWH

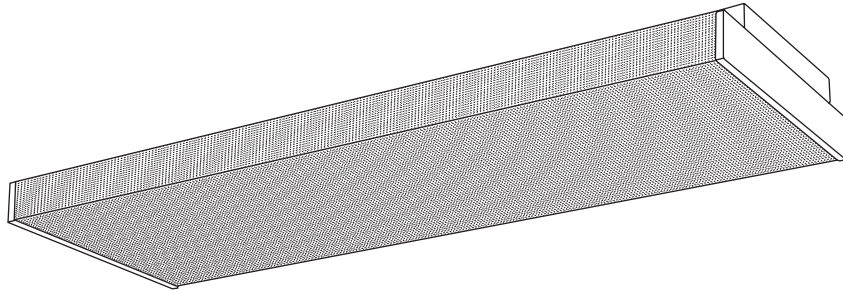
DRAWINGS AND DIMENSIONS



CATALOG NUMBER	TYPE

Glare Reducing Wraparound SN990

4', 8' Tandem



Housing: Die-formed heavy gauge steel with high-gloss baked white enamel finish (minimum reflectance 86%) over rust inhibiting phosphate coat. Standard white ends are injection molded. Knockouts provided.

Shielding: Injection molded acrylic patterned prismatic for low surface brightness.

Electrical: Fully wired for 120V, 60Hz AC operation, thermally protected, automatic resetting, Class P, sound rated A, high-power factor ballast, unless otherwise specified. Electronic T8 shall be instant start, <20% harmonic distortion standard, specify suffix UNV for <10% harmonic distortion. Specify suffix UNV for universal voltage, 120 through 277V, 50/60Hz AC operation, Electronic T8 only. UL and C-UL listed, damp location.

Mounting: Individual or continuous row stem or surface mount. See page 67 for mounting accessories.

Critical Application: SIMKAR strives to offer the most current product designs and value. Consequently, all SIMKAR products are subject to redesign and revision. Critical applications such as size, operating temperature, or sensor operation should be confirmed with the factory.

FEATURES AND BENEFITS

- Injection molded acrylic basket diffuser; flat bottom and vertical sides ➤ Uniform, low surface brightness
- Spring loaded latch ➤ Allows diffuser to hinge from both sides
- Injection molded end caps ➤ Upscale, high quality appearance
- Surface or pendant mount; individual, tandem or continuous row ➤ Flexible mounting options

ORDERING INFORMATION

Example: SN990332B11120V

S

990

DIFFUSER

N - Injection molded prismatic acrylic
O - Holophane Lens*

SERIES

LAMPS

232 - (2) 32W 48" T8
240 - (2) 34 or 40W 48" T12
332 - (3) 32W 48" T8
340 - (3) 34 or 40W 48" T12
432 - (4) 32W 48" T8
440 - (4) 34 or 40W 48" T12
Tandem:
2232 - (4) 32W 48" T8
2240 - (4) 34 or 40 48" T12
2332 - (6) 32W 48" T8
2340 - (6) 34 or 40 48" T12
2432 - (8) 32W 48" T8**
2440 - (8) 34 or 40 48" T12**

OPTION

ELS - Emergency lighting system, see page 67

BALLAST

B4 - Magnetic T8 if simplex clock is online
B11 - Electronic T8
E1 - Energy Saving Magnetic T12

VOLTAGE

120V
277V
UNV - 120-277V

*Minimums may apply, consult factory
**4 light tandem not available with SO990

For additional information, see chart on pages 68-69.

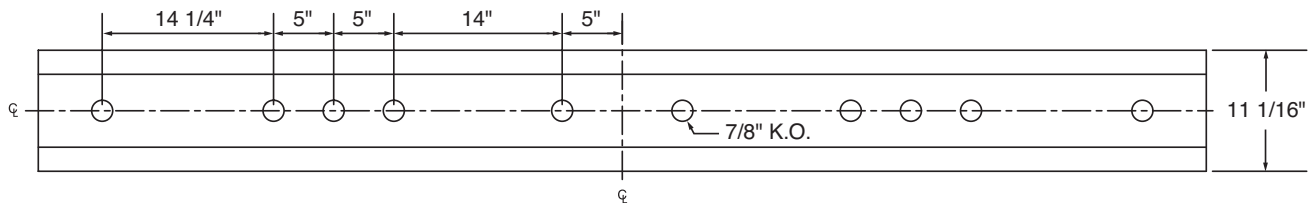
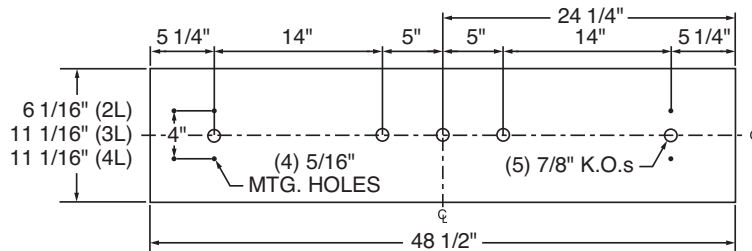
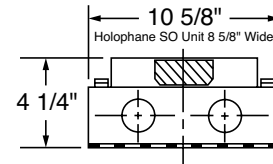
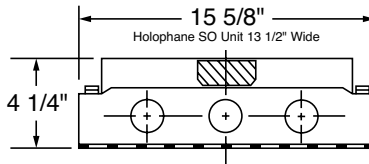
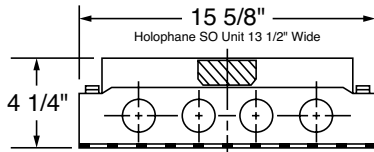
Glare Reducing Wraparound 4', 8' Tandem

PHOTOMETRIC DATA, SN 2-32W 4' Model

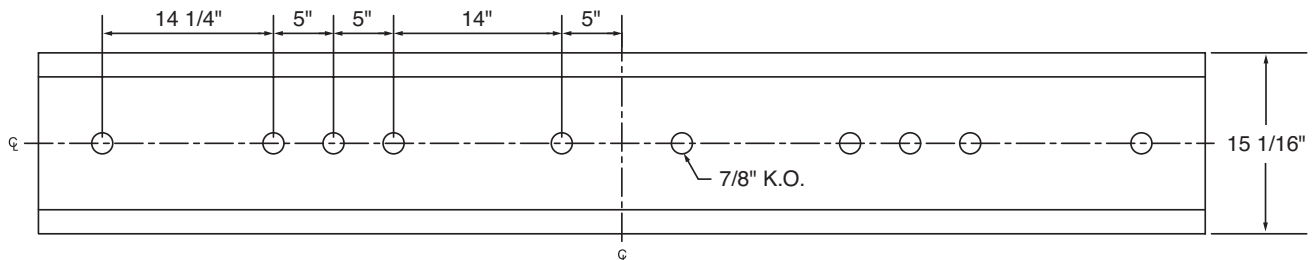
CANDLEPOWER				LIGHT GUIDE (T8 LAMPS AND ELECTRONIC BALLAST)				COEFFICIENT OF UTILIZATION											
Angle	0	45	90	Footcandles	Area/fixture in sq.ft./lg. room, good conditions - 8' to 10' ceilings			RC	80		70		50						
	1328	1328	1328		2-32W	3-32W	4-32W		RW	70	50	30	70	50	30	50	30		
0	1328	1328	1328	35	99.2	154.8	196.1	1	91	87	84	87	84	81	77	75			
5	1321	1334	1333	50	69.4	108.3	137.3	2	84	77	71	80	74	69	68	64			
15	1282	1335	1364	75	46.3	72.2	91.5	3	77	68	62	73	66	60	61	56			
25	1204	1315	1401	100	34.7	54.3	68.6	4	70	61	54	67	59	52	55	49			
35	1061	1262	1365	AVERAGE LUMINANCE CD/SQ.M			LIGHT DISTRIBUTION			5	65	54	47	62	52	45	49		
45	849	1096	1183	Angle	0	45	90	Zone	Lumens	%Lamp	%Fixture	6	59	48	41	57	47	40	44
55	534	597	730	45	3668	4036	4106	0-30	1188	19.4	22.4	7	55	43	36	52	42	35	39
65	232	359	397	55	2844	2547	2877	0-40	1882	33.0	38.0	8	50	39	32	48	38	31	35
75	129	246	328	65	1677	1889	1877	0-60	3270	57.4	66.0	9	46	35	28	44	34	27	32
85	48	155	280	75	1523	1758	2014	0-90	4074	71.5	82.2	10	43	32	25	41	31	24	29
90	2	117	277	85	1682	1813	2566												

Lamps = (2) F32 @ 2850 lumens ea. Input Watts = 57.1 LER = 81.2 Test #03149 Ballast = Electronic 120V Ballast Factor = 93.6 S/MH: 0° = 1.3; 90° = 1.5
Comparative yearly lighting energy cost per 1000 lumens = \$2.96 based on 3000 hrs. and \$.08 per KWH Four-lamp LER = 76.8

DRAWINGS AND DIMENSIONS



Tandem 2232 and 2240 Models

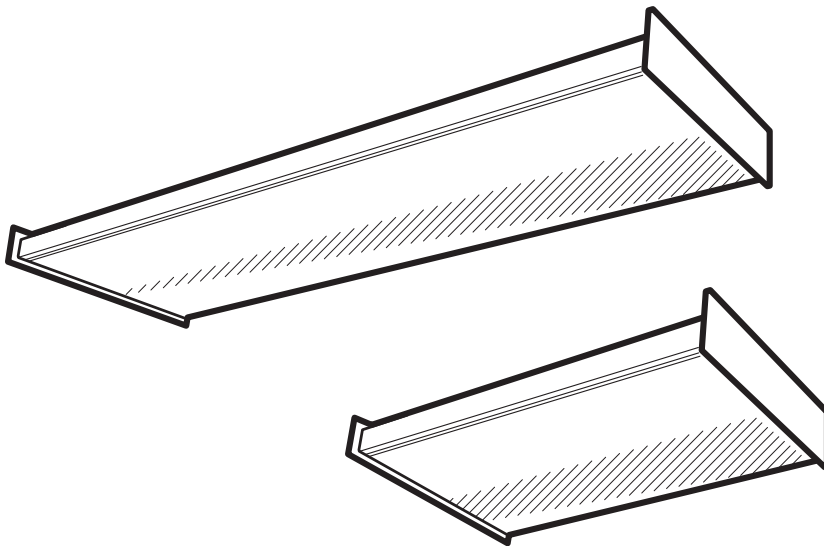


Tandem 2332, 2432 and 2440 Models

CATALOG NUMBER	TYPE

Wraparound SY950

2', 4', 8' Tandem



Housing: Die-formed heavy gauge steel with high-gloss baked white enamel finish (minimum reflectance 86%) over rust inhibiting phosphate coat. White steel ends are standard. Hinges from either side for easy maintenance. Knockouts provided.

Shielding: Clear prismatic acrylic with D.R.

Electrical: Fully wired for 120V, 60Hz AC operation, thermally protected, automatic resetting, Class P, sound rated A, high-power factor ballast, unless otherwise specified. Electronic T8 shall be instant start, <20% harmonic distortion standard, specify suffix UNV for <10% harmonic distortion. Specify suffix UNV for universal voltage, 120 through 277V, 50/60Hz AC operation, Electronic T8 only. UL and C-UL listed, damp location.

Mounting: Individual or continuous row stem or surface mount. See page 67 for mounting accessories.

Critical Application: SIMKAR strives to offer the most current product designs and value. Consequently, all SIMKAR products are subject to redesign and revision. Critical applications such as size, operating temperature, or sensor operation should be confirmed with the factory.

FEATURES AND BENEFITS

- Acrylic basket diffuser; flat bottom and vertical sides ➤ Uniform, low surface brightness
- White steel end caps ➤ Durable construction
- Lift and shift wraparound diffuser ➤ Allows diffuser to hinge from both sides for easy maintenance
- Surface or pendant mount; individual, tandem or continuous row ➤ Flexible mounting options

ORDERING INFORMATION

Example: SY950232B11120V

S Y

950

DIFFUSER

Y - Clear acrylic prismatic

SERIES

950 - Wrap, flat bottom

LAMPS

217 - (2) 17W 24" T8
 220 - (2) 20W 24" T12
 232 - (2) 32W 48" T8
 317 - (3) 17W 24" T8*
 332 - (3) 32W 48" T8*
 417 - (4) 17W 24" T8
 432 - (4) 32W 48" T8
 440 - (4) 34 or 40W 48" T12
 Tandem:
 2232 - (4) 32W 48" T8
 2240 - (4) 34 or 40W 48" T12

OPTION

ELS - Emergency lighting system, see page 67
 SR - Silver reflector

BALLAST

B11 - Electronic T8
 E1 - Energy Saving Magnetic T12
 RES - Magnetic T12 LPF

VOLTAGE

120V
 277V
 UNV - 120-277V

*Consult factory for pendant or cable mounting.

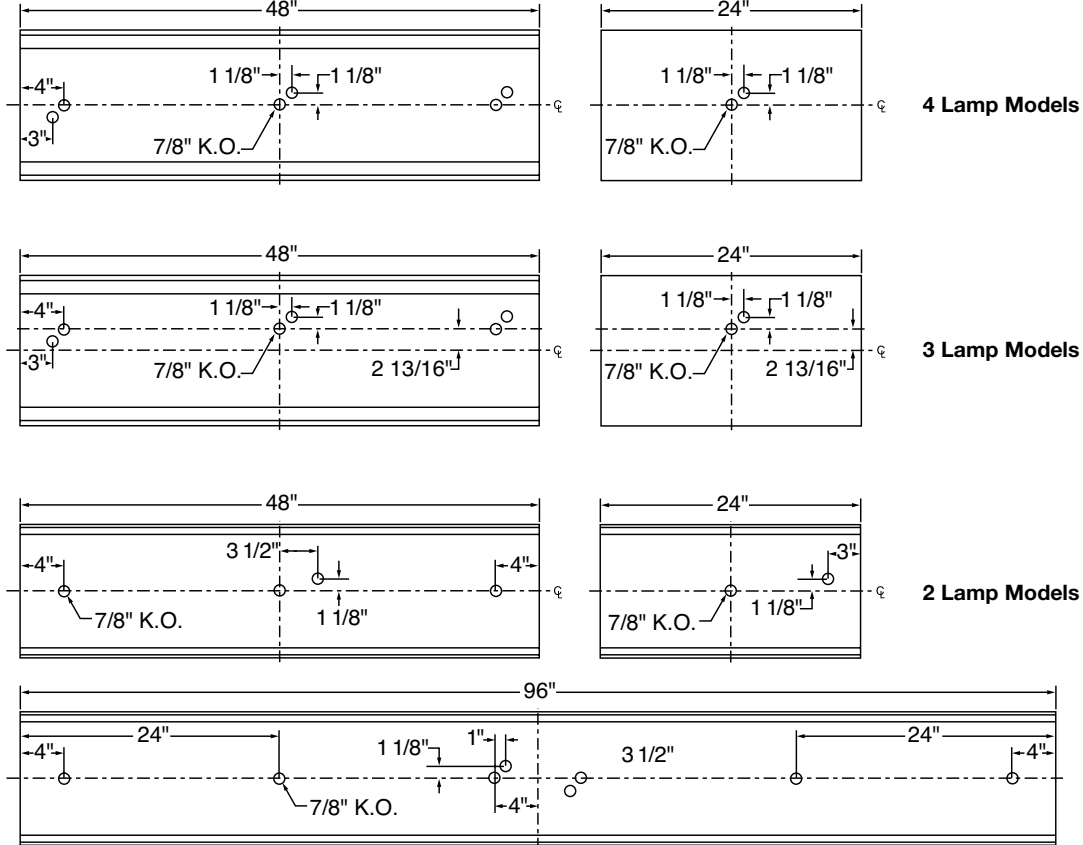
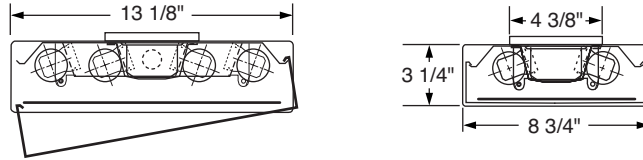
For additional information, see chart on pages 68-69.

PHOTOMETRIC DATA, 2-32W 4' Model

CANDLEPOWER				LIGHT GUIDE (T8 LAMPS AND ELECTRONIC BALLAST)				COEFFICIENT OF UTILIZATION									
Angle	0	45	90	Footcandles		Area/fixture in sq.ft./lg. room, good conditions - 8' to 10' ceilings		RC	80			70			50		
						2 Lamp 950	4 Lamp 950	RW	70	50	30	70	50	30	50	30	30
0	1549	1549	1549					RCR	1	81	77	74	78	75	72	70	68
5	1543	1549	1555	35		92	175	2	74	68	63	71	66	62	62	58	
15	1482	1523	1552	50		64	124	3	68	61	55	66	59	54	56	51	
25	1373	1449	1470	75		43	82	4	63	55	48	61	53	47	50	45	
35	1198	1256	1209	100		32	62	5	58	49	42	56	48	42	45	40	
45	890	873	808	AVERAGE LUMINANCE CD/SQ.M				TYPICAL V.C.P.s				LIGHT DISTRIBUTION					
55	469	530	501	Angle	0	45	90	Room Size	Mounting Height			Zone	Lumens	%Lamp	%Fixture		
65	278	324	401						Lengthwise	Crosswise							
75	143	230	401	45	4811	4089	3581	30x30	8.5	10	8.5	10	0-30	1239	21.4	28.2	
85	38	187	366	55	3085	2851	2517	40x40	58	62	48	56	0-40	2007	34.6	45.7	
90	3	177	313	65	2416	2120	2414	60x30	54	57	41	47	0-60	3136	54.1	71.3	
				75	1893	1992	3144	60x60	57	61	52	59	0-90	3942	68.0	89.7	
				85	1131	2526	4330	100x100	50	53	34	40					

Lamps = (2) F32T8 @ 2850 lumens ea. Input Watts = 58.6 LER = 59.2 Test # 01375 Ballast = Electronic 120V Ballast Factor = .88 S/MH: 0° = 1.2; 90° = 1.3
 Comparative yearly lighting energy cost per 1000 lumens = \$4.05 based on 3000 hrs. and \$.08 per KWH

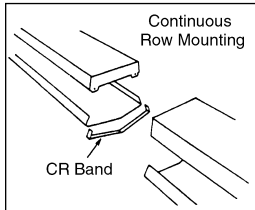
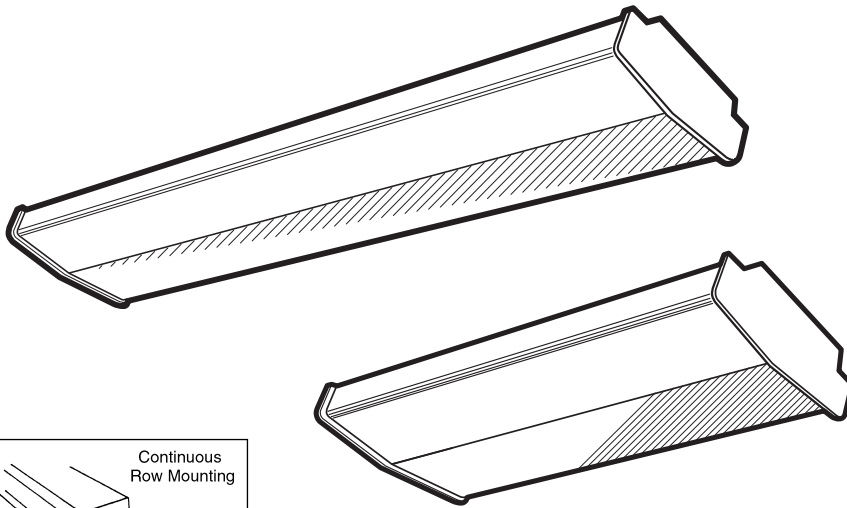
DRAWINGS AND DIMENSIONS



CATALOG NUMBER	TYPE

Low Profile Wraparound SY920

2', 4', 8' Tandem



Housing: Die-formed heavy gauge steel with high-gloss baked white enamel finish (minimum reflectance 86%) over rust inhibiting phosphate coat. Standard white ends are injection molded. Optional oak wood ends available, order separately. Lens hinges from either side. Knockouts provided.

Shielding: Clear acrylic prismatic lens with D.R. additive, smooth white also available.

Electrical: Fully wired for 120V, 60Hz AC operation, thermally protected, automatic resetting, Class P, sound rated A, high-power factor ballast, unless otherwise specified. Electronic T8 shall be instant start, <20% harmonic distortion standard, specify suffix UNV for <10% harmonic distortion. Specify suffix UNV for universal voltage, 120 through 277V, 50/60Hz AC operation, Electronic T8 only. UL and C-UL listed, damp location.

Mounting: Ceiling surface mount individual or continuous row (with CR bands). Tandem two-lamp model available. When pendant mounting three and four light fixtures, use stabilizer kit. See page 67 for mounting accessories.

Critical Application: SIMKAR strives to offer the most current product designs and value. Consequently, all SIMKAR products are subject to redesign and revision. Critical applications such as size, operating temperature, or sensor operation should be confirmed with the factory.

FEATURES AND BENEFITS

- Shallow 3 1/4" fixture ➤ Unassuming light source
- V-shaped prismatic acrylic diffuser ➤ Distributes light evenly and more effectively
- Injection molded end caps ➤ Upscale, high quality appearance
- Lift and shift wraparound diffuser ➤ Allows diffuser to hinge from both sides for easy maintenance

ORDERING INFORMATION

Example: SY920232B11120V

S		920				
MOUNTING	DIFFUSER	SERIES	LAMPS	OPTION	BALLAST	VOLTAGE
S - Surface ceiling or pendant	Y - Acrylic prismatic W - Smooth white (two-lamp wide)	920 - White ends, standard Optional oak ends, see below.	217 - (2) 17W 24" T8 220 - (2) 20W 24" T12 232 - (2) 32W 48" T8 240 - (2) 40W 48" T12 317 - (3) 17W 24" T8 332 - (3) 32W 48" T8 417 - (4) 17W 24" T8 420 - (4) 20W 24" T12 432 - (4) 32W 48" T8 440 - (4) 40W 48" T12 Tandem: 2232 - (4) 32W 48" T8 2240 - (4) 40W 48" T12	ELS - Emergency lighting system, see page 39 SR - Silver reflector	B11 - Electronic T8 B4 - Magnetic T8 if Simplex clock sync is online E1 - Energy Saving Magnetic T12	120V 277V UNV - 120-277V
		Optional Oak Ends				
		2-lamp	09-05002			
		3 or 4-lamp	09-05007			

For additional information, see chart on pages 68-69.

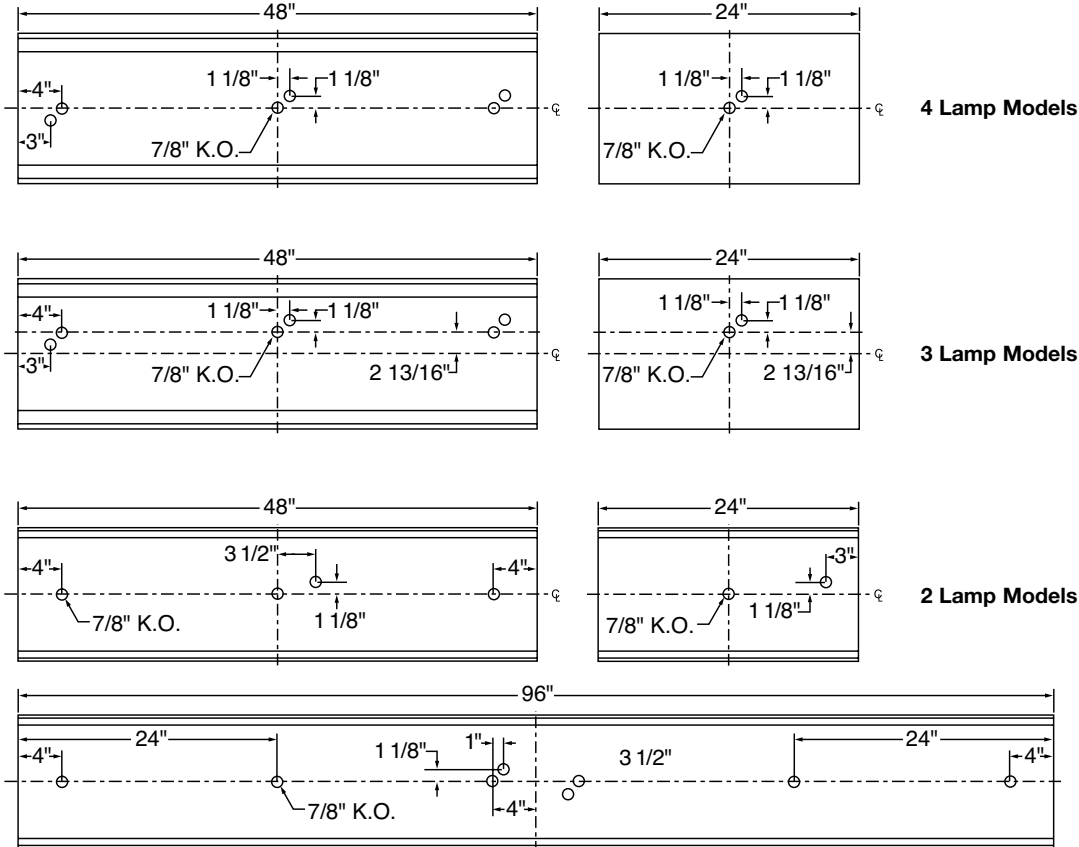
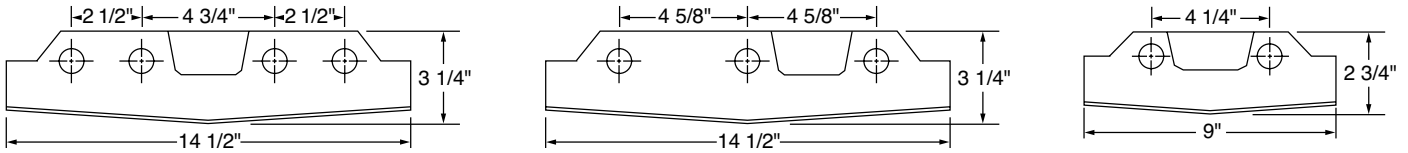
Low Profile Wraparound 2', 4', 8' Tandem

PHOTOMETRIC DATA, SY 2-32W 4' Model

CANDLEPOWER				LIGHT GUIDE (T8 LAMPS AND ELECTRONIC BALLAST)				COEFFICIENT OF UTILIZATION														
Angle	0	45	90	Area/fixture in sq.ft./lg. room, good conditions - 8' to 10' ceilings				RC	80			70			50							
				Footcandles	2-32W T8	3-32W T8	4-32W T8	RW	70	50	30	70	50	30	50	30	50	30				
0	1570	1570	1570		81.8	71.0	180.1	1	81	77	74	78	75	72	70	68						
5	1559	1568	1564	35	61.5	119.7	126.1	2	74	68	63	71	66	62	62	59						
15	1505	1518	1519	50	41.0	79.8	84.1	3	68	61	55	66	59	54	56	51						
25	1396	1406	1395	75	30.7	59.9	63.0	4	63	54	48	61	53	47	50	45						
35	1230	1208	1169	100				5	58	49	42	56	47	41	45	40						
45	959	896	832	AVERAGE LUMINANCE CD/SQ.M			TYPICAL V.C.P.s				RCR											
55	446	590	553	Angle	0	45	90	Room Size	Mounting Height													
65	225	388	449						Lengthwise		Crosswise											
75	134	230	370	45	4866	4109	3670	30x30	8.5	10	8.5	10										
85	51	156	320	55	2790	3183	2822	40x40	58	62	46	53										
90	5	151	286	65	1910	2641	2824	60x30	54	57	41	46										
				75	1857	2217	3167	60x60	57	61	51	57										
				85	2099	2734	4531	100x100	50	53	34	39										
									47	49	30	33										
													LIGHT DISTRIBUTION									
													Zone	Lumens	%Lamp	%Fixture						
													0-30	1222	21.1	27.9						
													0-40	1974	34.0	45.0						
													0-60	3149	54.3	71.8						
													0-90	3960	68.3	90.3						

Lamps = (2) F32 T8 @ 2850 lumens ea. Input Watts = 59.5 LER = 61.2 Test #01998 Ballast = Electronic 120V Ballast Factor = 93.6 S/MH: 0° = 1.2; 90° = 1.2
Comparative yearly lighting energy cost per 1000 lumens = \$3.92 based on 3000 hrs. and \$.08 per KWH

DRAWINGS AND DIMENSIONS

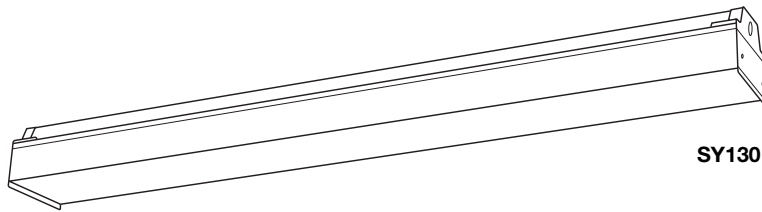


CATALOG NUMBER	TYPE

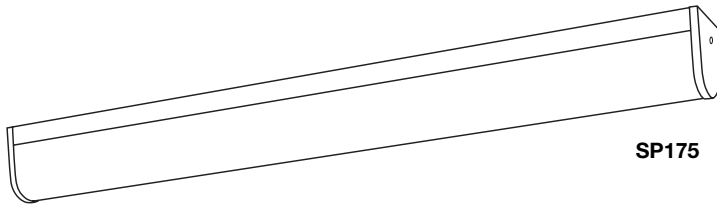
Corridor Wraparound

SY130, SP175

2', 3', 4', 8' Tandem



SY130



SP175

Housing: Die-formed heavy gauge steel with high-gloss baked white enamel finish (minimum reflectance 86%) over rust inhibiting phosphate coat. Knockouts provided.

Shielding: SY130 is equipped with clear prismatic acrylic with D.R. additive. SP175 has smooth white diffuser with D.R. additive.

Electrical: Fully wired for 120V, 60Hz AC operation, thermally protected, automatic resetting, Class P, sound rated A, high-power factor ballast, unless otherwise specified. Electronic T8 shall be instant start, <20% harmonic distortion standard, specify suffix UNV for <10% harmonic distortion. Specify suffix UNV for universal voltage, 120 through 277V, 50/60Hz AC operation, Electronic T8 only. UL and C-UL listed, damp location.

Mounting: Continuous row (with CR band for SP175). SY130 recommended for ceiling applications. SP175 recommended for ceiling or wall mount.

Critical Application: SIMKAR strives to offer the most current product designs and value. Consequently, all SIMKAR products are subject to redesign and revision. Critical applications such as size, operating temperature, or sensor operation should be confirmed with the factory.

FEATURES AND BENEFITS

- Surface or pendant mount; individual, tandem or continuous row ➤ Flexible mounting options
- Clear prismatic (SY130) and smooth white (SP175) wraparound acrylic diffuser ➤ Uniform, all-around illumination
- Damp Location Listed ➤ Ideal for eaves
- White enamel end plates ➤ Durable construction

ORDERING INFORMATION

Example: SY130232B11120V

SERIES

SP175 - Milk white lens*
SY130 - Clear acrylic prismatic

*Available as 1 light unit only.

LAMPS

117 - (1) 17W 24" T8
120 - (1) 20W 24" T12
125 - (1) 25W 36" T8
130 - (1) 30W 36" T12
132 - (1) 32W 48" T8
140 - (1) 34 or 40W 48" T12
232 - (2) 32W 48" T8
240 - (2) 34 or 40W 48" T12
Tandem:
2132 - (2) 32W 48" T8
2140 - (2) 34 or 40W 48" T12
2232 - (4) 32W 48" T8
2240 - (4) 34 or 40W 48" T12

OPTION

ELS - Emergency lighting system, see page 67

BALLAST

B11 - Electronic T8
E1 - Energy Saving Magnetic T12

VOLTAGE

120V
277V
UNV - 120-277V

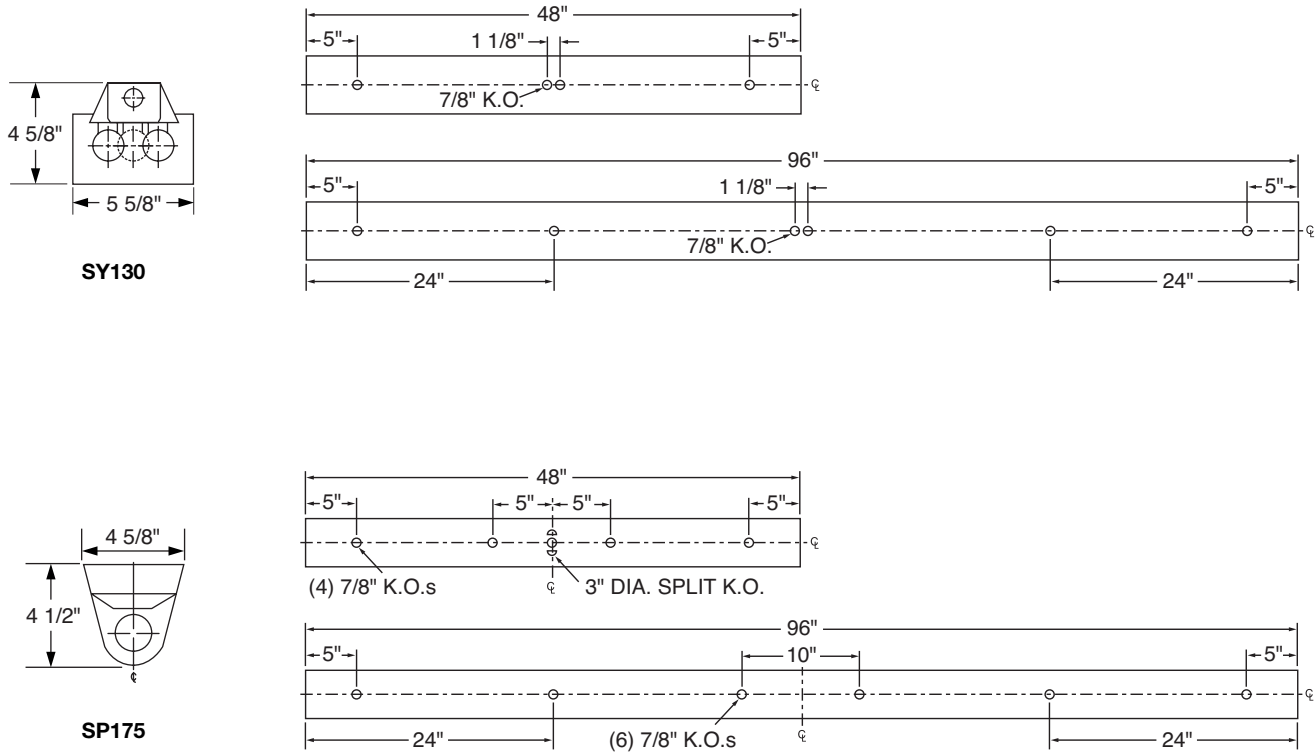
For additional information, see chart on pages 68-69.

PHOTOMETRIC DATA, 1-34W 4' SY130

CANDLEPOWER				LIGHT GUIDE (T12 LAMPS AND MAGNETIC BALLAST)				COEFFICIENT OF UTILIZATION											
Angle	0	45	90	Footcandles		Area/fixture in sq.ft./lg. room, good conditions - 8' to 10' ceilings		RC	80	70	50	30	70	50	30	50	30		
				1 Lamp SY130				RW											
				AVERAGE LUMINANCE CD/SQ.M				RCR											
				Angle	0	90	Room Size	TYPICAL V.C.P.s			LIGHT DISTRIBUTION								
								Mounting Height			Zone	Lumens	%Lamp	%Fixture					
								Lengthwise	Crosswise		0-30								
											0-40								
											0-60								
											0-90								
0	555	555	555								1	91	86	81	87	82	78	75	72
5	560	557	555	35							2	82	73	67	78	70	64	64	59
15	543	555	566	50							3	74	64	56	71	61	54	56	50
25	505	546	573	75							4	68	56	48	64	54	46	50	43
35	449	523	563	100							5	62	50	41	59	48	40	44	37
45	362	462	512								6	57	44	36	54	42	35	39	32
55	236	376	459								7	52	40	32	50	38	30	35	29
65	105	332	442								8	48	36	28	46	34	27	32	25
75	33	310	429								9	44	32	24	42	31	24	28	22
85	14	255	385								10	41	29	22	39	28	21	26	20
90	0	192	356																

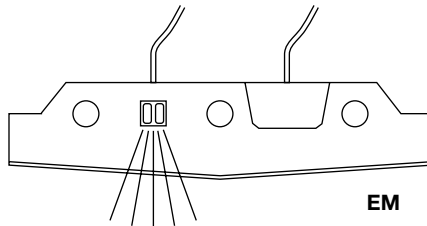
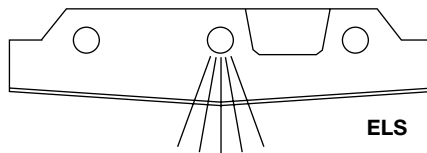
Lamps = (1) F40T12 @ 3150 lumens ea. Input Watts = 40.8 LER = 51.6 Test # 30600 Ballast = Magnetic 120V Ballast Factor = .94 S/MH: 0° = 1.3; 90° = 1.5
 Comparative yearly lighting energy cost per 1000 lumens = \$3.47 based on 3000 hrs. and \$.08 per KWH

DRAWINGS AND DIMENSIONS



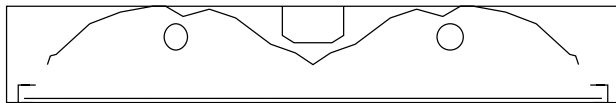
Emergency Lighting System (Suffix ELS)

Fixtures equipped with ELS will respond in power failures with one lamp operational for 90 minutes. U.L. listed, including indicator light and test button. Bodine emergency packs may also be specified.



Emergency Socket (Suffix EM)

Equips fixture with incandescent or PL socket for nightlight or emergency use. Specify lamp source and wattage when ordering. Not available with 277V fixtures.



Aluminum Reflectors for Surface Series SY244, SB, etc.

Apply SR, AR or WR. Example: SY244 432 B11 SR



Reflectors for Wraparound Series SY920, SY950, etc.

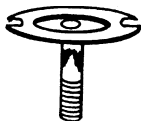
Apply SR, AR or WR. Example: SY920 232 B11 SR

CACC48, CACC72

Two 4-foot steel cables (two 6-foot steel cables), mounting hardware, 4-foot power feed cord, two white canopy plates.

CS

Ceiling Spacer. Maintains 2 1/2" space between top of fixture and ceiling. Hollow stem. Use with any surface fixture.



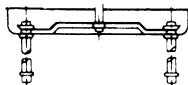
FB or SB

Fast-Blow or Slow-Blow Fusing. One per ballast for best protection.



FH

Twin Canopy and 24" Stem Set. Two stems and hardware.



SIMKAR® Reflectors

Computer designed to be a perfect combination with SIMKAR fixtures. Apply SR, AR or WR to upgrade your fixture type.

Material:

SR – Specular Silver laminated to aluminum

AR – Specular Anodized Aluminum

WR – White finish, 90% reflectance.

Mounting: Wraparound and surface box reflectors attach with screws and are shipped installed.

RF

Radio Frequency Suppressor. Broad band filter used to suppress radio interference noise that may be conducted through power lines. Still has application on units with reduced harmonic ballasts.

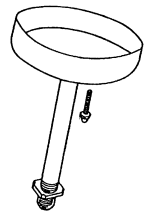
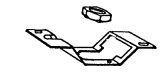
Note: Surface boxes can also specify an RFI diffuser, e.g. "Q" for .125 RFI pattern #12.



SH

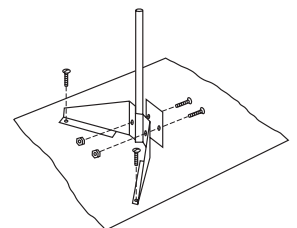
Single White Canopy and 24" Stem Set with mounting hardware (one set). Factory recommends use of two stems on 4' and 8' individual fixtures or continuous rows.

Note: Fixtures more than 15" wide require four stems, e.g., 2 x 4 surface box.



Stabilizer Bracket Kit

Bracket and hardware for level pendant mounting of 3 and 4 light SY920 fixtures.



ELS SUFFIXES	
Suffix	Lumen Rating
B50	1100 - 1400
B90	500 - 600
B100	350 - 450
Damp Location	Lamps
BDL500	(2) 2' - 8'
BDL600	(2) 2' - 8'
BDL900	(1) 2' - 4'

S - Standard O - Optional, consult factory for exceptions	Direct/ indirect	SLPM	SEP	Surface Boxes			Wraparounds				
				LDI	SY	S_66	SYLP	SN990	SY950	SY920	SY130
Ballast Options											
B4 – Magnetic T8	0	0	0	0	0	0	0	0	0	0	0
B5 – Electronic T12			0	0	0	0	0	0	0	0	0
B8 – Customer Supplied	0	0	0	0	0	0	0	0	0	0	0
B9 – Customer Specified	0	0	0	0	0	0	0	0	0	0	0
B10 – Magnetic TT Biax			0	0	0	0	0	0	0	0	0
B11 – Electronic T8, Solid State Octron	S	S	0	0	S	S	0	0	0	0	0
B11 LP – Electronic T8, Low Power	0	0	0	0	0	0	0	0	0	0	0
B11 SHR – Electronic T8, Rapid Start, <10% THD	0	0	0	0	0	0	0	0	0	0	0
B11 UNV – Electronic T8, Universal Voltage, <10% THD	0	0	0	0	0	0	0	0	0	0	0
B14 – Electronic TT Biax			0	0	0	0	0	0	0	0	0
DIM – Dimmable, specify ballast, i.e. MKVII, MKX, Lutron ECO10	0	0	0	0	0	0	0	0	0	0	0
E1 – Energy Saving Magnetic T12			S	S	0	S	S	S	S	S	S
ESB – Residential Magnetic T12			0	0	0	0	0	0	0	0	0
LT – Cold Weather, 0° F			0	0	0	0	0	0	0	0	0
Door Frame											
Flat White			0	S		S					
B – Black			S								
Lenses and Louvers											
A – Parawedge 1/2 x 1/2 x 1/2 cell, Specify Silver or Gold Finish				0							
B – .125 Polycarbonate				0							
E – Shallow Parabolic					0						
EP – 3" Deep Cell, Semi-Specular			0								
G – Specular Gold Louver			0								
J – 3/4 x 3/4 x 1/2 cell - 1/2" deep				0							
K – .125 Prismatic Acrylic				0			0				
L – White Lumicube 1/2 x 1/2 x 3/8 (Eggcrate)				0							
N – .150 Thick Injection Molded, Specify thickness and make								S			
O – .140 Acrituf - High Impact								0			
P – Acrylic Drop Dish				0							
Q – .125 RFI with Ground Strap				0							

S - Standard O - Optional, consult factory for exceptions	Direct/ indirect	SLPM	Surface Boxes					Wraparounds				
			SEP	SY	S_66	SYLP	SN990	SY950	SY920	SY130	SP175	
Lenses and Louvers Continued												
S - Paracube Silver 1 1/2 x 1 1/2 x 1, Specify Silver or Gold Finish				0								
S - Specular Silver Louver			0									
U - .156 Prismatic No RFI			S	0					0			S
W - Flat Milk White Acrylic			0									
W - White Louver			0									
Y - A12 Prismatic Acrylic			S	0	0	S	S	S	S	S	S	S
Miscellaneous												
ELS - Emergency Lighting System	0	0	0	0	0	0	0	0	0	0	0	0
EM - Emergency Socket, specify incandescent or PL and wattage			0	0				0	0	0	0	0
FB - Fast Blow Fusing	0	0	0	0	0	0	0	0	0	0	0	0
FH - Twin Canopy Set			0	0	0	0	0	0	0	0	0	0
HF - Hinged Frame				0								
OLY - Overlay	S		0									
RF - Radio Suppressor	0	0	0	0	0	0	0	0	0	0	0	0
SB - Slow Blow Fusing	0	0	0	0	0	0	0	0	0	0	0	0
SH - Single Canopy Set, specify stem length	0	0	0	0	0	0	0	0	0	0	0	0
TP - Tamperproof screws				0								
Reflectors												
AR - Anodized Reflector			0	0						0	0	
SR - Silver Reflector			0	0						0	0	
WR - White Reflector, 90% reflectance			0	0						0	0	
Gasketing												
LDFG - Lens, door, and fixture gasketing				0								
LDG - Lens and door gasketing				0								
LFG - Lens and fixture gasketing				0								
LG - Lens gasketing				0								
Lamps												
L3 - Energy Saving Cool White Lamps (not installed)	0	0	0	0	0	0	0	0	0	0	0	0
L9 - Lamps - Specify Color K° (not installed)	0	0	0	0	0	0	0	0	0	0	0	0

