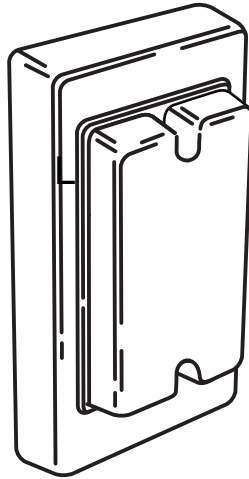


CATALOG NUMBER	TYPE

**Vandgard**  
**V9000**  
5" x 13"



**Housing:** Marine Grade A heavy-gauge aluminum with gasketing for maximum corrosion resistance. Models with painted parts receive high-gloss baked enamel applied after pre-treatment to ensure superior paint adhesion and rust resistance. Fixture housing is black.

**Shielding:** High-impact, UV treated milk white polycarbonate lens. Optional prismatic lens available, consult factory.

**Electrical:** Fluorescent fixtures are wired for 120V, 60Hz AC operation. HID fixtures are wired for 120V, 60Hz AC operation. Reliable start ratings: 7W @ 0°F, 9W @ 25°F, 13W @ 32°F, H.I.D. @ -20°F. U.L. listed, wet location.

**Mounting:** Wall, ceiling, indoor, outdoor.

**Critical Application:** SIMKAR strives to offer the most current product designs and value. Consequently, all SIMKAR products are subject to redesign and revision. Critical applications such as size, operating temperature, or sensor operation should be confirmed with the factory.

**FEATURES AND BENEFITS**

- Aluminum housing ➤ Prevents rust; cooler operation and longer lamp life
- High impact translucent milk white acrylic lens ➤ Durable construction; efficient illumination
- Tamperproof stainless steel screws ➤ Maximum security; high abuse fixture
- PL and HID models ➤ Long life span, lower maintenance costs

**ORDERING INFORMATION**

Example: V9013AMS120V

**SERIES**

V - Vandgard  
VH - High pressure sodium

**LAMPS**

9013 - (1) 13W PL  
9014 - (2) 7W PL  
9026 - (2) 13W PL  
9035 - (1) 35W E17 HPS-LPF  
9050 - (1) 50W E17 HPS-LPF

**A**

**HOUSING**

A - Aluminum

**OPTIONS**

Maximum security, standard  
L11 - Lamps included  
LL - Diode, extends lamp life, incandescent only  
NL - Nite lite candelabra base socket for 7W incandescent  
W - White polycarbonate lens, standard  
Blank for prismatic lens (minimums apply)

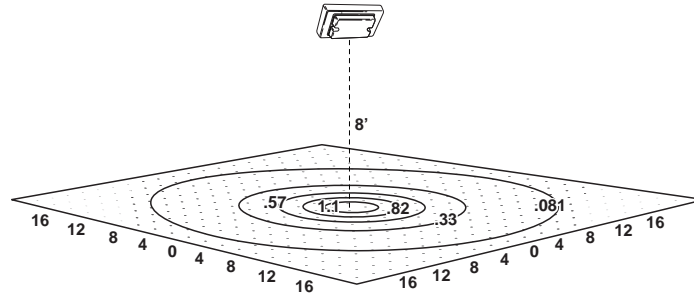
**VOLTAGE**

120  
277+  
‡Not available with night lite

**ACCESSORIES**

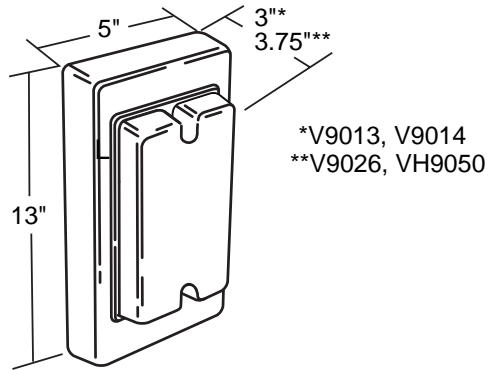
TSD - Tamper-proof screwdriver

PHOTOMETRIC DATA



Horizontal Illuminance Analysis: Model V9026  
Scale and Surface: .125" to 1' (1' Grid)  
Units: Footcandles

DRAWINGS AND DIMENSIONS



\*V9013, V9014  
\*\*V9026, VH9050