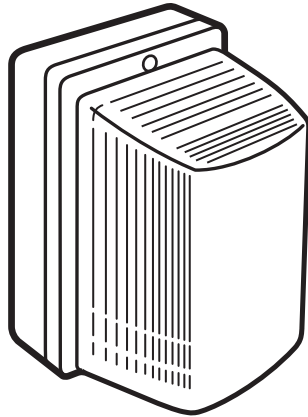


CATALOG NUMBER	TYPE

# Vandgard

## V5000

5" x 8"



**Housing:** Heavy-gauge steel or marine Grade A heavy-gauge aluminum with gasketing for maximum corrosion resistance. Models with painted parts receive high-gloss baked enamel applied after pre-treatment to ensure superior paint adhesion and rust resistance. Fixture housing is white. V501A aluminum back box has a bronze finish.

**Shielding:** High-impact, UV treated, clear prismatic polycarbonate for remarkable impact strength.

**Electrical:** Fluorescent fixtures are wired for 120V, 60Hz AC operation. Incandescent fixtures have medium base socket. Reliable start rating: 7W PL@0°F. U.L. listed, wet location: 60W max., damp location: ceiling - 60W max., wall - 75W max.

**Mounting:** Ceiling or wall mount in indoor or outdoor areas. Mount incandescent on wall with lamp base up (top).

**Critical Application:** SIMKAR strives to offer the most current product designs and value. Consequently, all SIMKAR products are subject to redesign and revision. Critical applications such as size, operating temperature, or sensor operation should be confirmed with the factory.

### FEATURES AND BENEFITS

- Aluminum housing option ➤ Prevents rust; promotes cooler operation and longer lamp and ballast life
- Polycarbonate diffuser ➤ Remarkable impact strength
- Optional tamperproof stainless steel screws (MS) ➤ Improved vandal resistance
- Fully gasketed ➤ Keeps out insects, dust, and moisture preventing rust
- PL models ➤ Long life span, lower maintenance costs

### ORDERING INFORMATION

Example: V5000AMS120V

**V**

#### SERIES

V - Vandgard

#### LAMPS

5000 - (1) 60W or 75W A19  
 5007 - (1) 7W PL  
 5014 - (2) 7W PL

#### HOUSING

Steel, standard  
 A - Aluminum

#### OPTIONS

MS - Maximum security  
 HPF - High power factor  
 L11 - Lamps included  
 LL - Diode, extends lamp life, incandescent only  
 NL - Nite lite candelabra base socket for 7W incandescent  
 PC - Photocontrol, mounts on V501A back box  
 W - White polycarbonate lens

#### VOLTAGE

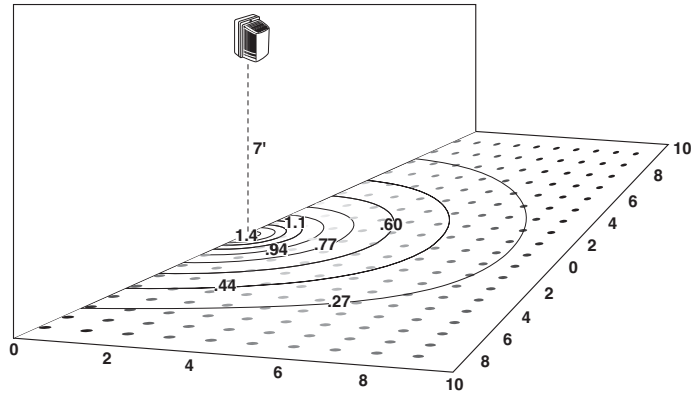
120  
 277\*‡

\* Back box may be required for 277V models  
 ‡ Not available with night lite

#### ACCESSORIES

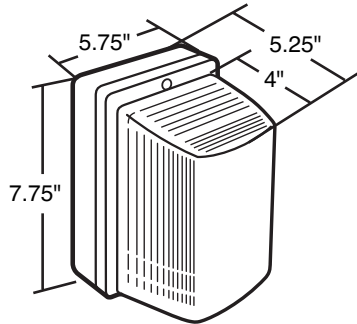
V501A - Aluminum back box for 1/2" conduit, bronze  
 TSD - Tamper-proof screwdriver

PHOTOMETRIC DATA

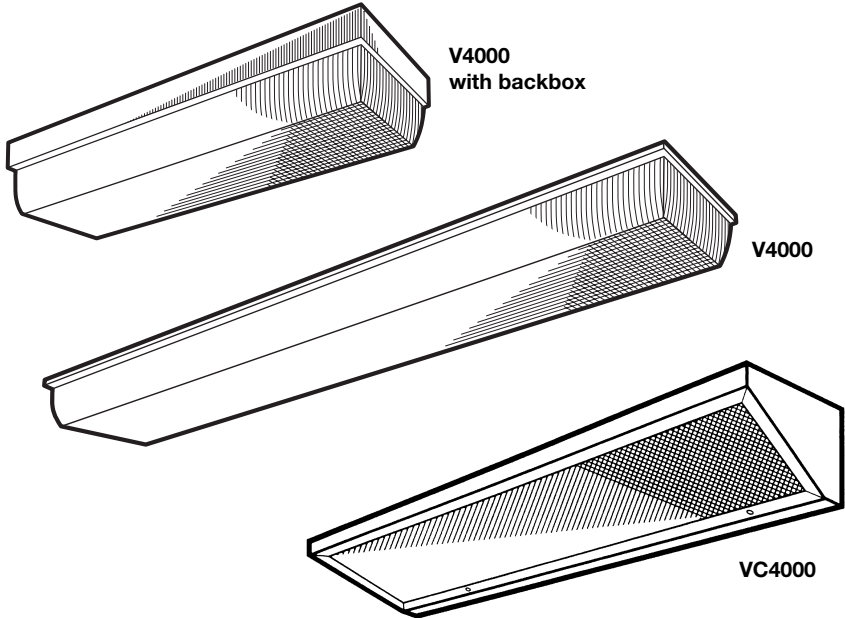


Horizontal Illuminance Analysis: Model V5014A  
Scale and Surface: .25" to 1' (1' Grid)  
Units: Footcandles

DRAWINGS AND DIMENSIONS



CATALOG NUMBER	TYPE



**Housing:** Marine Grade A heavy-gauge aluminum with gasketing for maximum corrosion resistance, offered with optional back boxes and corner boxes. VX unit has breakaway tabs for conduit feed. Models with painted parts receive high-gloss baked enamel applied after pre-treatment to ensure superior paint adhesion and rust resistance. Fixtures have white housing.

**Shielding:** High-impact, UV treated, multi-patterned polycarbonate for remarkable impact strength. VX models are pattern X44 prismatic.

**Electrical:** Fully wired for 120V, 60Hz AC operation, thermally protected, automatic resetting, Class P, sound rated A, high-power factor ballast, unless otherwise specified. Electronic T8 shall be instant start, <20% harmonic distortion standard, specify suffix UNV for <10% harmonic distortion. Specify suffix UNV for universal voltage, 120 through 277V, 50/60Hz AC operation, Electronic T8 only. UL listed, wet location ceiling mount, damp location wall mount.

**Mounting:** Wall, ceiling, indoor, outdoor. Corner mount with optional steel box.

**Critical Application:** SIMKAR strives to offer the most current product designs and value. Consequently, all SIMKAR products are subject to redesign and revision. Critical applications such as size, operating temperature, or sensor operation should be confirmed with the factory.

FEATURES AND BENEFITS

Aluminum housing	➤ Prevents rust; promotes cooler operation and longer lamp and ballast life
Polycarbonate diffuser	➤ Remarkable impact strength
Optional tamperproof stainless steel screws (MS)	➤ Improved vandal resistance
Fully gasketed	➤ Keeps out insects, dust, and moisture preventing rust

ORDERING INFORMATION

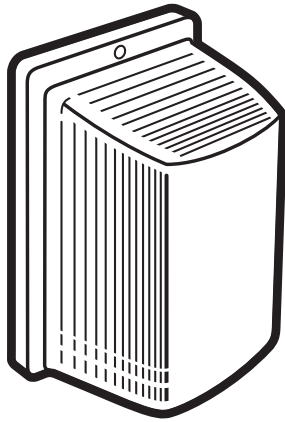
Example: V4017AMSB11120V

SERIES	LAMPS	HOUSING	OPTIONS	BALLAST	VOLTAGE
V - Vandgard	4017 - (1) 17W 24" T8	A - Aluminum	MS - Maximum security, only standard on VX units	B11 - Electronic T8	120
VC - Steel corner mount housing*	4020 - (1) 20W 24" T12		HPF - High power factor, standard on 4' units	E1 - Energy Saving Magnetic T12	277+
VX - Steel housing	4032 - (1) 32W 48" T8**		L11 - Lamps included	LT - Cold Weather 0°	UNV - 120-277V+
	4040 - (1) 34/40W 48" T12		NL - Nite lite candelabra base socket for 7W incandescent		*Not available with night lite
	4217 - (2) 17W 24" T8		PC - Photocontrol, mounts on V401A series back box		
	4220 - (2) 20W 24" T12				
	4232 - (2) 32W 48" T8				
	4240 - (2) 34/40W 48" T12				
*Minimums may apply					
<b>ACCESSORIES</b>					
V401A20 - Aluminum back box for 1/2" conduit for 20W unit					
V401A40 - Aluminum back box for 1/2" conduit for 40W unit					
TSD - Tamper-proof screwdriver					



CATALOG NUMBER	TYPE

**Vandgard**  
**V6000**  
6" x 10"



**Housing:** Marine Grade A heavy-gauge aluminum with gasketing for maximum corrosion resistance. Models with painted parts receive high-gloss baked enamel applied after pre-treatment to ensure superior paint adhesion and rust resistance. Fixture housing is white.

**Shielding:** High-impact, UV Treated, clear prismatic polycarbonate for remarkable impact strength.

**Electrical:** Fluorescent fixtures are wired for 120V, 60Hz AC operation. HID fixtures are wired for 120V, 60Hz AC operation. Incandescent fixtures have medium base socket. Reliable start ratings: 7W @ 0°F, 9W @ 25°F, 13W @ 32°F, 18W Quad @ 32°F. U.L. listed, wet location.

**Mounting:** Ceiling or wall mount in indoor or outdoor areas. Mount incandescent on wall with lamp base up (top).

**Critical Application:** SIMKAR strives to offer the most current product designs and value. Consequently, all SIMKAR products are subject to redesign and revision. Critical applications such as size, operating temperature, or sensor operation should be confirmed with the factory.

**FEATURES AND BENEFITS**

- Aluminum housing ➤ Prevents rust; promotes cooler operation and longer lamp and ballast life
- Polycarbonate diffuser ➤ Remarkable impact strength
- Optional tamperproof stainless steel screws (MS) ➤ Improved vandal resistance
- Fully gasketed ➤ Keeps out insects, dust, and moisture preventing rust
- PL models ➤ Long life span, lower maintenance costs

**ORDERING INFORMATION**

Example: V6009AMS120V

**V**

**SERIES**

V - Vandgard

—

**LAMPS**

6009 - (1) 9W PL  
6018 - (2) 9W PL  
6013 - (1) 13W PL  
6026 - (2) 13W PL  
6100 - Max 100W A  
6018AQD - (1) 18W Quad  
(Aluminum)

**A**

**HOUSING**

A - Aluminum

—

**OPTIONS**

MS - Maximum security  
HPF - High power factor\*\*  
L11 - Lamps included  
LL - Diode, extends lamp life, incandescent only  
NL - Nite lite candelabra base socket for 7W incandescent

\*\*9W PL only

—

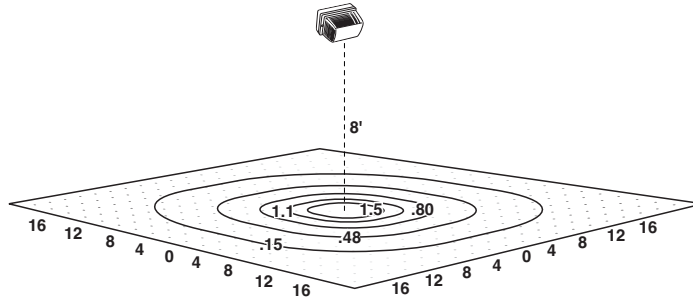
**VOLTAGE**

120  
277\*†  
\* 277V available only on 9W and 18W models  
† Not available with night lite

**ACCESSORIES**

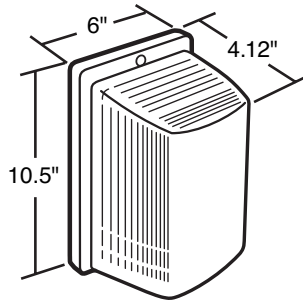
TSD - Tamper-proof screwdriver

**PHOTOMETRIC DATA**



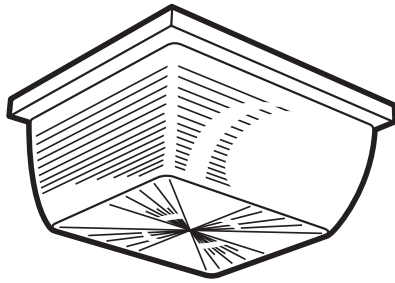
**Horizontal Illuminance Analysis: Model V6026A**  
**Scale and Surface: .125" to 1' (1' Grid)**  
**Units: Footcandles**

**DRAWINGS AND DIMENSIONS**

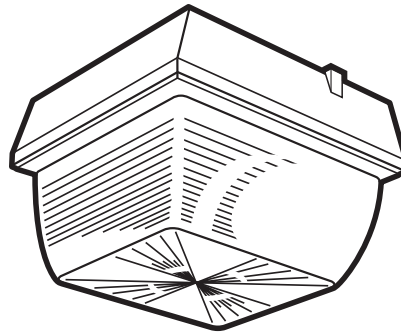


CATALOG NUMBER	TYPE

**Vandgard**  
**V8000**  
8" x 8"



Incandescent  
or Compact  
Fluorescent



HID

**Housing:** Marine Grade A heavy-gauge aluminum with gasketing for maximum corrosion resistance. HID models include bronze cast aluminum housing for surface conduit. Models with painted parts receive high-gloss baked enamel applied after pre-treatment to ensure superior paint adhesion and rust resistance. Incandescent and Compact Fluorescent fixtures have white housings, HID housings are bronze.

**Shielding:** High-impact, UV treated, multi-patterned polycarbonate for remarkable impact strength.

**Electrical:** Fluorescent fixtures are wired for 120V, 60Hz AC operation. HID fixtures are wired for 120V, 60Hz AC operation. Incandescent fixtures have medium base socket. Reliable start ratings: 7W @ 0°F, 9W @ 25°F, 13W @ 32°F, H.I.D. @ -20°F. U.L. listed, wet location.

**Mounting:** Incandescent units can be ceiling mounted or wall mounted with lamp base up (top). HID units for ceiling mount only.

**Critical Application:** SIMKAR strives to offer the most current product designs and value. Consequently, all SIMKAR products are subject to redesign and revision. Critical applications such as size, operating temperature, or sensor operation should be confirmed with the factory.

**FEATURES AND BENEFITS**

- Aluminum housing ➤ Prevents rust; promotes cooler operation and longer lamp and ballast life
- Polycarbonate diffuser ➤ Remarkable impact strength
- Optional tamperproof stainless steel screws (MS) ➤ Improved vandal resistance
- Fully gasketed ➤ Keeps out insects, dust, and moisture preventing rust
- PL and HID models ➤ Long life span, lower maintenance costs

**ORDERING INFORMATION**

Example: V8000AMS120V

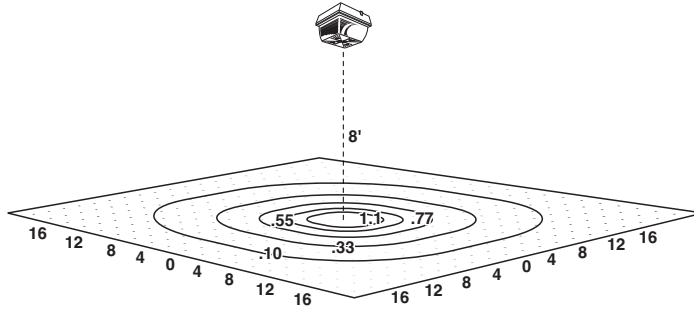
SERIES	LAMPS	HOUSING	OPTIONS	VOLTAGE
V - Vandgard VH - High pressure sodium** VA - Metal Halide**	8000 - (1) 75W A19 8007/9A - (1) 7W or 9W PL 8013 - (1) 13W PL 8014 - (2) 7W PL 8020 - (1) 20W Circline 8035 - (1) 35W E17 HPS-LPF 8050 - (1) 50W E17 HPS-LPF or MH 8070 - (1) 70W E17 HPS-LPF or MH	A - Aluminum	MS - Maximum security HPF - High power factor† L11 - Lamps included LL - Diode, extends lamp life, incandescent only NL - Nite lite candelabra base socket for 7W incandescent PC - Photocontrol, mounts on V801A back box	120 277*  * Back box may be required for 277V models † Not available with night lite

**ACCESSORIES**

- V801A - Aluminum back box for 1/2" conduit, bronze
- TSD - Tamper-proof screwdriver

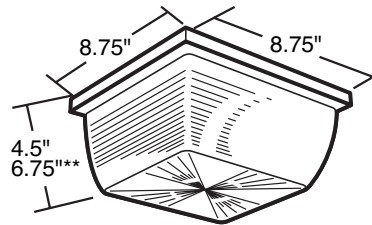
† Available for 7W, 9W, and 13W, consult factory for HPS or MH

PHOTOMETRIC DATA



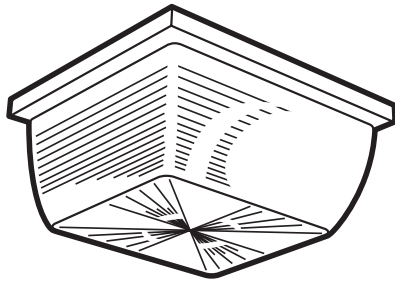
Horizontal Illuminance Analysis: Model V8014A  
Scale and Surface: .125" to 1' (1' Grid)  
Units: Footcandles

DRAWINGS AND DIMENSIONS

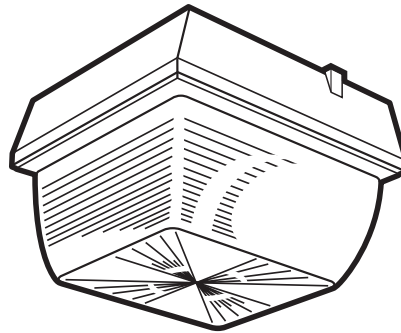


CATALOG NUMBER	TYPE

**Vandgard**  
**V1000**  
12" x 12"



Incandescent  
or Compact  
Fluorescent



HID

**Housing:** Marine Grade A heavy-gauge aluminum with gasketing for maximum corrosion resistance. HID models include bronze cast aluminum housing for surface conduit. Models with painted parts receive high-gloss baked enamel applied after pre-treatment to ensure superior paint adhesion and rust resistance. Incandescent and Compact Fluorescent fixtures have white housings, HID housings are bronze.

**Shielding:** High-impact, UV treated, multi-patterned polycarbonate for remarkable impact strength.

**Electrical:** Fluorescent fixtures are wired for 120V, 60Hz AC operation. HID fixtures are wired for 120V, 60Hz AC operation. Incandescent fixtures have medium base socket. Reliable start ratings: 7W @ 0°F, 9W @ 25°F, 13W @ 32°F, H.I.D. @ -20°F. U.L. listed, wet location.

**Mounting:** Incandescent units can be ceiling mounted or wall mounted with lamp base up (top). HID units for ceiling mount only.

**Critical Application:** SIMKAR strives to offer the most current product designs and value. Consequently, all SIMKAR products are subject to redesign and revision. Critical applications such as size, operating temperature, or sensor operation should be confirmed with the factory.

**FEATURES AND BENEFITS**

- Aluminum housing ➤ Prevents rust; promotes cooler operation and longer lamp and ballast life
- Polycarbonate diffuser ➤ Remarkable impact strength
- Optional tamperproof stainless steel screws (MS) ➤ Improved vandal resistance
- Fully gasketed ➤ Keeps out insects, dust, and moisture preventing rust
- PL and HID models ➤ Long life span, lower maintenance costs

**ORDERING INFORMATION**

Example: V1000AMS120V

SERIES	LAMPS	HOUSING	OPTIONS	VOLTAGE
V - Vandgard VH - High pressure sodium** VA - Metal Halide**	1000 - (2) 60W A19 1018 - (2) 9W PL 1022 - (1) 22W Circline 1026 - (2) 13W PL 1026AQDB14 - (1) 26W Quad 1052AQDB14 - (2) 26W Quad 1100 - (1) 100W E17 HPS-LPF or M90 MH 1150 - (1) 150W E17 HPS-LPF	A - Aluminum	MS - Maximum security HPF - High power factor† L11 - Lamps included LL - Diode, extends lamp life, incandescent only NL - Nite lite candelabra base socket for 7W incandescent PC - Photocontrol, mounts on V101A back box	120 277*†

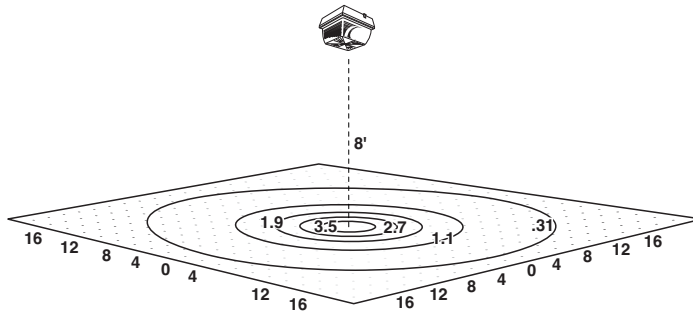
**ACCESSORIES**

- V101A - Aluminum back box for 1/2" conduit, bronze
- TSD - Tamper-proof screwdriver

†Available for 7W, 9W, and 13W, consult factory for HPS or MH

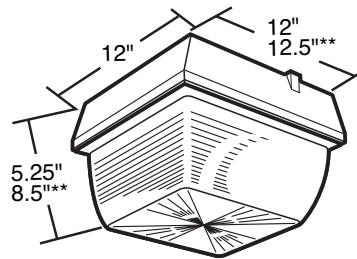
\*Back box may be required for 277V models  
†Not available with night lite

PHOTOMETRIC DATA



Horizontal Illuminance Analysis: Model VA1100  
Scale and Surface: .125" to 1' (Grid 1')  
Units: Footcandles

DRAWINGS AND DIMENSIONS

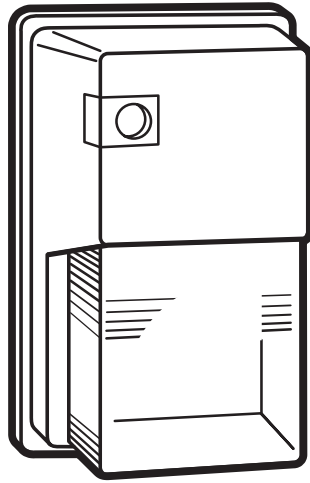


CATALOG NUMBER	TYPE

**Vandgard**

**VH6050**

7" x 11"



**Housing:** Marine Grade A heavy-gauge aluminum with gasketing for maximum corrosion resistance. Models with painted parts receive high-gloss baked enamel applied after pre-treatment to ensure superior paint adhesion and rust resistance. Fixture housing is bronze.

**Shielding:** High-impact clear multipatterned polycarbonate.

**Electrical:** HID fixtures are wired for 120V, 60Hz AC operation. Reliable start rating: 50W sodium @ -20°F. UL listed, wet location.

**Mounting:** Wall mount, outdoors.

**Critical Application:** SIMKAR strives to offer the most current product designs and value. Consequently, all SIMKAR products are subject to redesign and revision. Critical applications such as size, operating temperature, or sensor operation should be confirmed with the factory.

**FEATURES AND BENEFITS**

- Aluminum housing ➤ Prevents rust; cooler operation and longer lamp life
- High impact clear multipatterned polycarbonate lens ➤ Durable construction; efficient illumination
- Photocell ➤ Saves energy

**ORDERING INFORMATION**

Example: VH6050APCL11120V

**VH**

**SERIES**

VH - High pressure sodium

\_\_\_\_\_

**LAMPS**

6035 - (1) 35W E17 HPS-LPF  
6050 - (1) 50W E17 HPS-LPF

**A**

**HOUSING**

A - Aluminum

**PC**

**PHOTOCONTROL**

PC - Photocontrol (standard), backbox mounted

\_\_\_\_\_

**OPTIONS**

HPF - High power factor\*  
L11 - Lamps included  
LL - Diode, extends lamp life, incandescent only

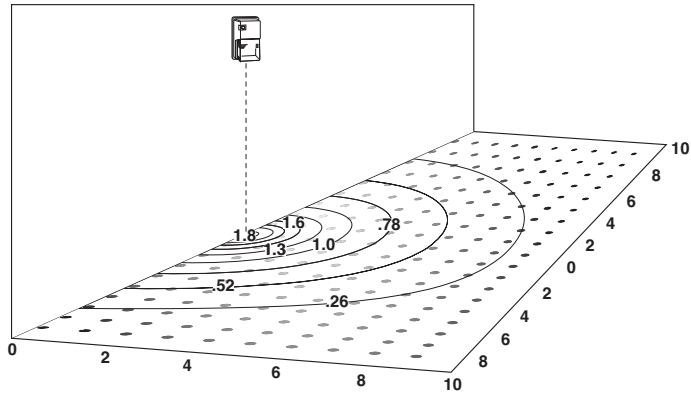
\_\_\_\_\_

**VOLTAGE**

120  
277

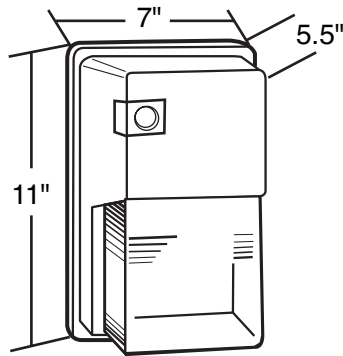
\*Consult factory

PHOTOMETRIC DATA



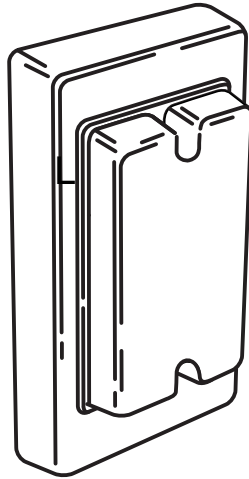
Horizontal Illuminance Analysis: Model VH6050AL11PC  
Scale and Surface: .25" to 1' (1' Grid)  
Units: Footcandles

DRAWINGS AND DIMENSIONS



CATALOG NUMBER	TYPE

**Vandgard**  
**V9000**  
5" x 13"



**Housing:** Marine Grade A heavy-gauge aluminum with gasketing for maximum corrosion resistance. Models with painted parts receive high-gloss baked enamel applied after pre-treatment to ensure superior paint adhesion and rust resistance. Fixture housing is black.

**Shielding:** High-impact, UV treated milk white polycarbonate lens. Optional prismatic lens available, consult factory.

**Electrical:** Fluorescent fixtures are wired for 120V, 60Hz AC operation. HID fixtures are wired for 120V, 60Hz AC operation. Reliable start ratings: 7W @ 0°F, 9W @ 25°F, 13W @ 32°F, H.I.D. @ -20°F. U.L. listed, wet location.

**Mounting:** Wall, ceiling, indoor, outdoor.

**Critical Application:** SIMKAR strives to offer the most current product designs and value. Consequently, all SIMKAR products are subject to redesign and revision. Critical applications such as size, operating temperature, or sensor operation should be confirmed with the factory.

**FEATURES AND BENEFITS**

- Aluminum housing ➤ Prevents rust; cooler operation and longer lamp life
- High impact translucent milk white acrylic lens ➤ Durable construction; efficient illumination
- Tamperproof stainless steel screws ➤ Maximum security; high abuse fixture
- PL and HID models ➤ Long life span, lower maintenance costs

**ORDERING INFORMATION**

Example: V9013AMS120V

**SERIES**

V - Vandgard  
VH - High pressure sodium

**LAMPS**

9013 - (1) 13W PL  
9014 - (2) 7W PL  
9026 - (2) 13W PL  
9035 - (1) 35W E17 HPS-LPF  
9050 - (1) 50W E17 HPS-LPF

**A**

**HOUSING**

A - Aluminum

**OPTIONS**

Maximum security, standard  
L11 - Lamps included  
LL - Diode, extends lamp life, incandescent only  
NL - Nite lite candelabra base socket for 7W incandescent  
W - White polycarbonate lens, standard  
Blank for prismatic lens (minimums apply)

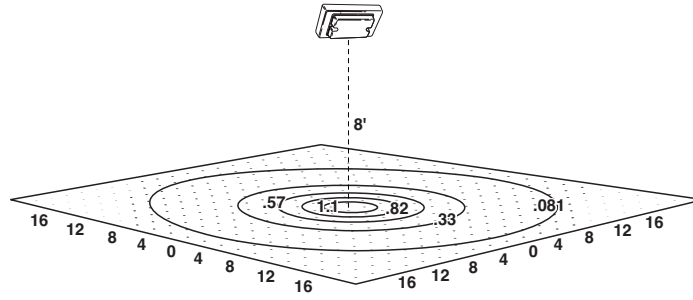
**VOLTAGE**

120  
277+  
‡Not available with night lite

**ACCESSORIES**

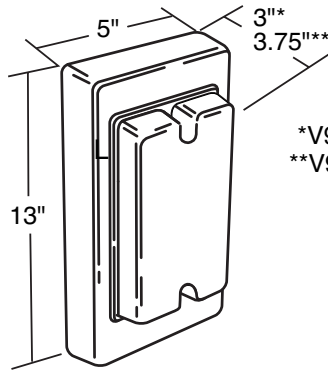
TSD - Tamper-proof screwdriver

PHOTOMETRIC DATA



Horizontal Illuminance Analysis: Model V9026  
Scale and Surface: .125" to 1' (1' Grid)  
Units: Footcandles

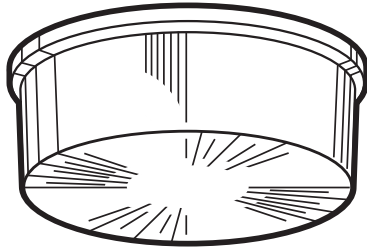
DRAWINGS AND DIMENSIONS



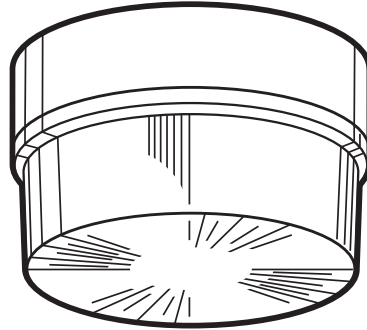
\*V9013, V9014  
\*\*V9026, VH9050

CATALOG NUMBER	TYPE

**Vandgard**  
**V3000**  
15"



**Incandescent  
or Compact  
Fluorescent**



**HID**

**Housing:** Marine Grade A heavy-gauge aluminum with gasketing for maximum corrosion resistance. HID models include bronze cast aluminum housing for surface conduit. Models with painted parts receive high-gloss baked enamel applied after pre-treatment to ensure superior paint adhesion and rust resistance. Incandescent and Compact Fluorescent fixtures have white housings, HID housings are bronze.

**Shielding:** High-impact, UV treated, multi-patterned polycarbonate for remarkable impact strength.

**Electrical:** Fluorescent fixtures are wired for 120V, 60Hz AC operation. HID fixtures are wired for 120V, 60Hz AC operation. Incandescent fixtures have medium base socket. Reliable start ratings: 13W @ 32°F, H.I.D. @ -20°F. U.L. listed, wet location.

**Mounting:** Incandescent wall mount, base up (top).

**Critical Application:** SIMKAR strives to offer the most current product designs and value. Consequently, all SIMKAR products are subject to redesign and revision. Critical applications such as size, operating temperature, or sensor operation should be confirmed with the factory.

**FEATURES AND BENEFITS**

- Aluminum housing ➤ Prevents rust; promotes cooler operation and longer lamp and ballast life
- Polycarbonate diffuser ➤ Remarkable impact strength
- Optional tamperproof stainless steel screws (MS) ➤ Improved vandal resistance
- Fully gasketed ➤ Keeps out insects, dust, and moisture preventing rust
- PL and HID models ➤ Long life span, lower maintenance costs

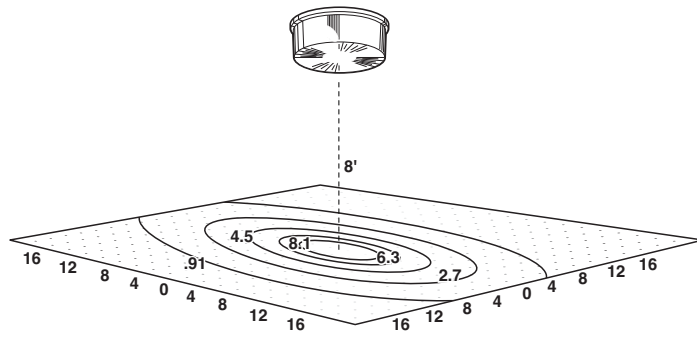
**ORDERING INFORMATION**

Example: V3150AMS120V

SERIES	LAMPS	HOUSING	OPTIONS	VOLTAGE
V - Vandgard VH - High pressure sodium** VA - Metal Halide**  ** HID models include bronze cast aluminum housing for surface conduit	3150 - (2) 75W A19 or 150W E17 HPS-LPF 3054 - 22W + 32W Circline 3026 - (2) 13W PL 3035 - (1) 35W E17 HPS-LPF 3050 - (1) 50W E17 HPS-LPF 3100 - (1) 100W E1 HPS-LPF or M90 MH	A - Aluminum	MS - Maximum security HPF - High power factor† L11 - Lamps included LL - Diode, extends lamp life, incandescent only NL - Nite lite candelabra base socket for 7W incandescent PC - Photocontrol, mounted on backbox	120 277*  *Not available with night lite
<b>ACCESSORIES</b> TSD - Tamper-proof screwdriver				

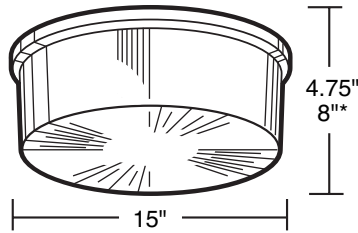
† Available for 13W, consult factory for HPS or MH

PHOTOMETRIC DATA



Horizontal Illuminance Analysis: Model VA3100  
Scale and Surface: .125" to 1' (1' Grid)  
Units: Footcandles

DRAWINGS AND DIMENSIONS



\*VA and VA HID Units