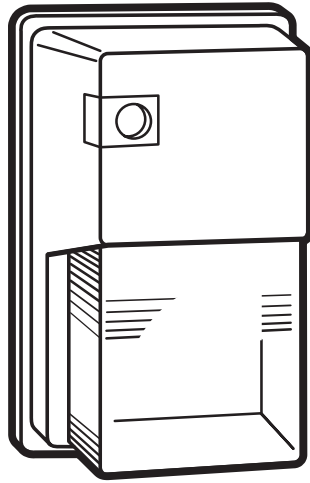


CATALOG NUMBER	TYPE

Vandgard

VH6050

7" x 11"



Housing: Marine Grade A heavy-gauge aluminum with gasketing for maximum corrosion resistance. Models with painted parts receive high-gloss baked enamel applied after pre-treatment to ensure superior paint adhesion and rust resistance. Fixture housing is bronze.

Shielding: High-impact clear multipatterned polycarbonate.

Electrical: HID fixtures are wired for 120V, 60Hz AC operation. Reliable start rating: 50W sodium @ -20°F. UL listed, wet location.

Mounting: Wall mount, outdoors.

Critical Application: SIMKAR strives to offer the most current product designs and value. Consequently, all SIMKAR products are subject to redesign and revision. Critical applications such as size, operating temperature, or sensor operation should be confirmed with the factory.

FEATURES AND BENEFITS

- Aluminum housing ➤ Prevents rust; cooler operation and longer lamp life
- High impact clear multipatterned polycarbonate lens ➤ Durable construction; efficient illumination
- Photocell ➤ Saves energy

ORDERING INFORMATION

Example: VH6050APCL1120V

VH

SERIES

VH - High pressure sodium

LAMPS

6035 - (1) 35W E17 HPS-LPF
6050 - (1) 50W E17 HPS-LPF

A

HOUSING

A - Aluminum

PC

PHOTOCONTROL

PC - Photocontrol (standard), backbox mounted

OPTIONS

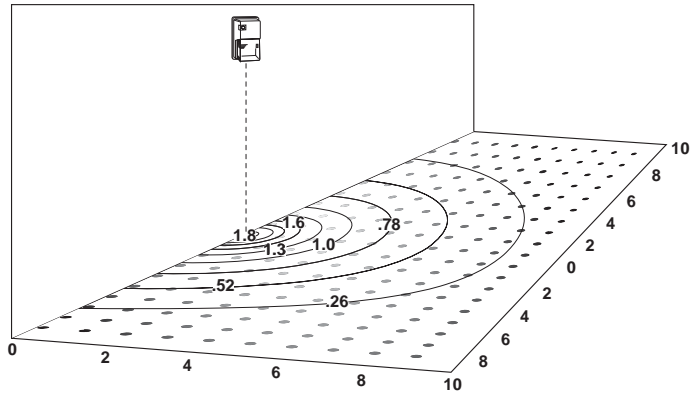
HPF - High power factor*
L11 - Lamps included
LL - Diode, extends lamp life, incandescent only

VOLTAGE

120
277

*Consult factory

PHOTOMETRIC DATA



Horizontal Illuminance Analysis: Model VH6050AL11PC
Scale and Surface: .25" to 1' (1' Grid)
Units: Footcandles

DRAWINGS AND DIMENSIONS

